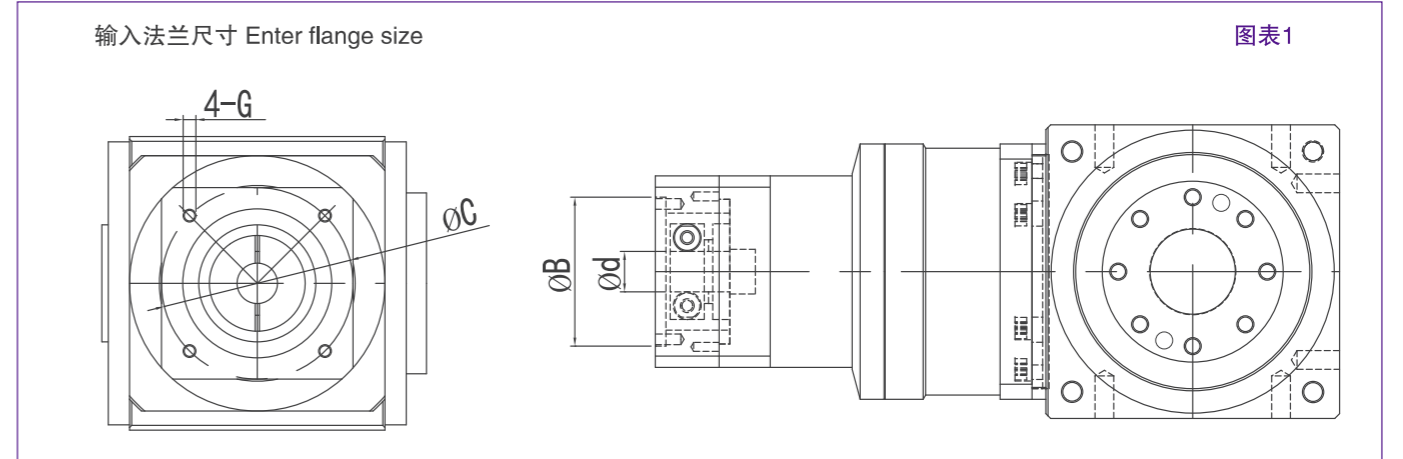
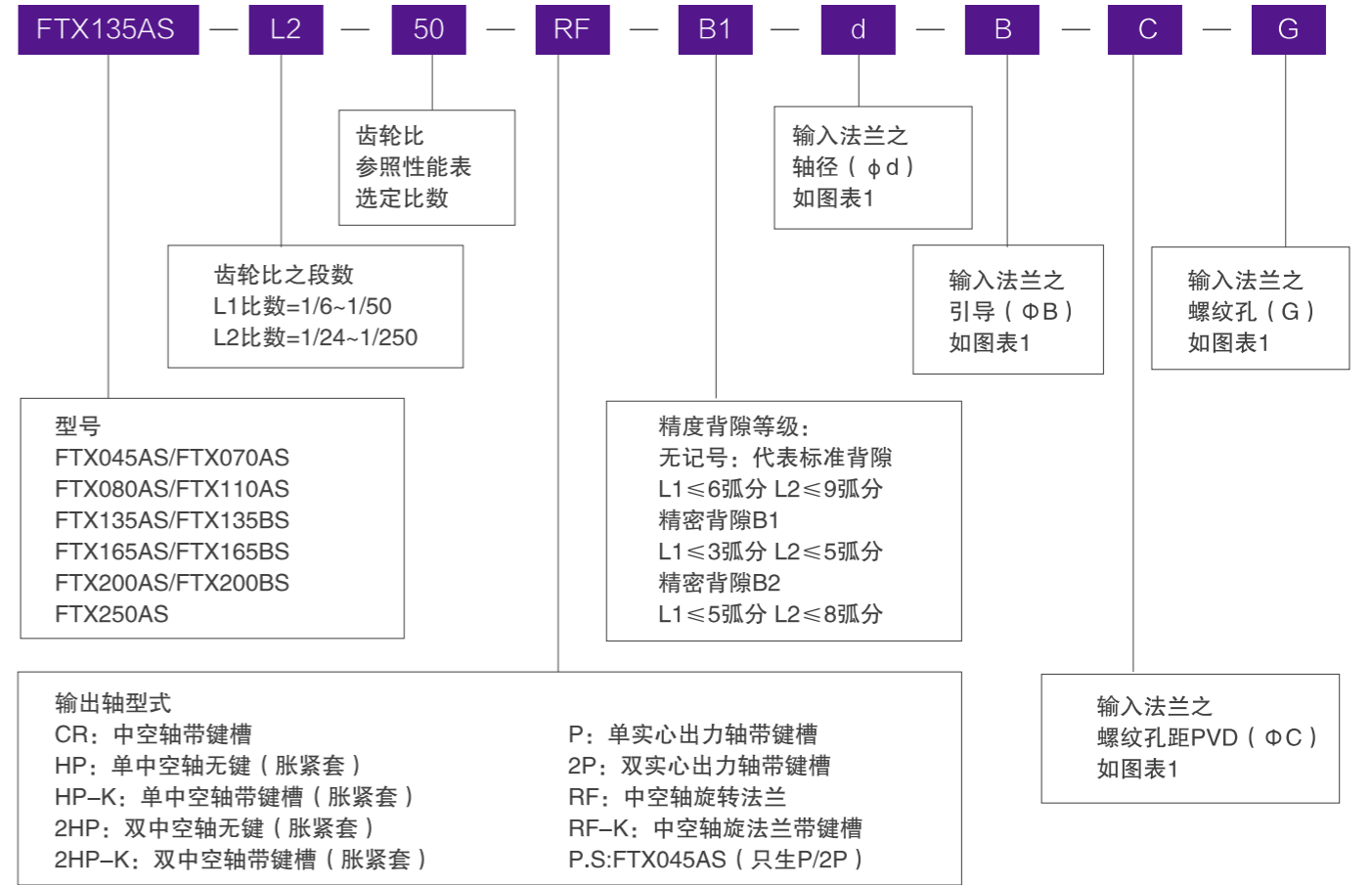
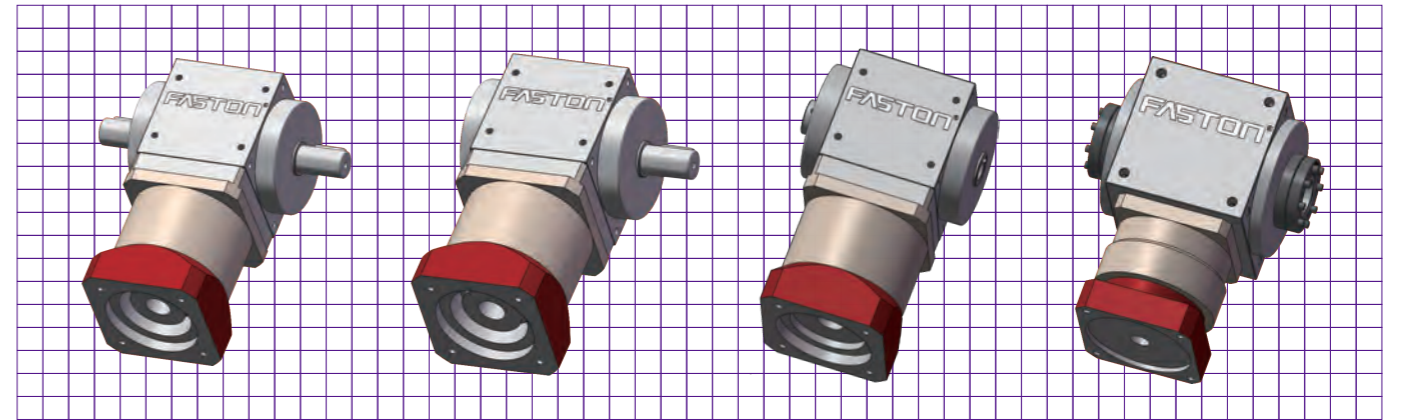


FTX-AS精密型输入带行星直角减速器 减速比:1/6~/300



产品规格 PRODUCT SPECIFICATION

额定输出转矩 (Nm)	节数 Stage	比数 ¹ Ratio ^a	FTX-045AS	FTX-070AS	FTX-080AS	FTX-110AS	FTX-135AS	FTX-135BS	FTX-165AS	FTX-165BS	FTX-200AS	FTX-200BS	FTX-250AS
			1段 (L1)	6	9.5	30	78.5	230	350	320	750	600	1500
		8,10,12	9.5	30	78.5	230	350	320	750	600	1500	1200	2150
		14,16,18	9.5	30	78.5	230	350	320	750	600	1500	1000	2150
		15,20,25,30,35,40,50	9.5	24.5	49.0	123	208	208	490	460	800	900	2150
	2段 (L2)	24,30,100,160,180,200,210	---	---	70	170	350	170	750	400	1500	900	2150
		32,36,40,50	---	---	78.5	230	350	320	750	660	1500	1200	2150
		56,60,70,80	---	---	78.5	230	350	260	750	560	1500	1000	2150
		48,120,140	---	---	78.5	230	350	240	750	600	1500	1050	2150
		45,75,84,105,125,150,175,250	---	---	49.0	123	208	208	490	460	800	900	1500
最大加速转矩 (Nm)	L1,L2	6-250	1.5倍额定输出力矩 1.5 Times of Rated Output Torque										
瞬间输出转矩 (Nm) (容许3秒内短时间)	L1,L2	6-250	3倍额定输出力矩 3 Times of Rated Output Torque										
输入转速 (rpm)	L1,L2	6-250	3000	3000	3000	3000	3000	3000	3000	3000	2000	3000	2000
最高输入转速 (rpm)	L1,L2	6-250	4500	4500	4500	3000	3000	3000	3000	3000	2000	3000	2000
标准背隙 (arc-min)	L1	6-50	≤10	≤6	≤6	≤6	≤6	≤6	≤6	≤6	≤6	≤6	≤6
	L2	24-250	---	≤9	≤9	≤9	≤9	≤9	≤9	≤9	≤9	≤9	≤9
精密背隙 B2 (arc-min)	L1	6-50	≤8	≤5	≤5	≤5	≤5	≤5	≤5	≤5	≤5	≤5	≤5
	L2	24-250	---	≤8	≤8	≤8	≤8	≤8	≤8	≤8	≤8	≤8	≤8
精密背隙 B1 (arc-min)	L1	6-50	---	≤3	≤3	≤3	≤3	≤3	≤3	≤3	≤3	≤3	≤3
	L2	24-250	---	≤5	≤5	≤5	≤5	≤5	≤5	≤5	≤5	≤5	≤5
容许径向力 (N)	L1,L2	6-250	1100	2800	3900	5500	9800	9800	16500	16500	24100	24100	45000
容许轴向力 (N)	L1,L2	6-250	650	2800	3900	5500	9800	9800	16500	16500	24100	24100	45000
效率 (%)	L1	6-50	90%										
	L2	24-250	85%										
重量 (kg)	L1	6-50	1.8	3.5	5.5	11.0	21.0	17.0	41.0	29.0	55.3	42.5	3.5
	L2	6-250	---	5.0	6.0	13.0	24.5	19.0	36.5	33.0	65.5	47.5	5.0
工作温度 (°C)	L1,L2	6-250	-10°C~+70°C										
润滑油	L1,L2	6-250	全合成润滑油 (TOTAL CERAN HV)										
安装方向	L1,L2	6-250	任意方向										
噪音值 (db) /2000(rpm)	L1,L2	6-250	≤62	≤68	≤68	≤70	≤72	≤72	≤73	≤73	≤76	≤76	≤76

(1) 噪音值测量(分贝表距离齿轮箱1M位置,输入转速2000RPM测试):(输入转速2000以上噪音值会增大)
 (2) 背隙值测量(在2%额定转矩的力距下所测量)
 (3) 连续使用超过(12时/日)会降低寿命1/2(依照P3选定)
 p.s: 特殊定制品: 齿轮比1/300~1/1000

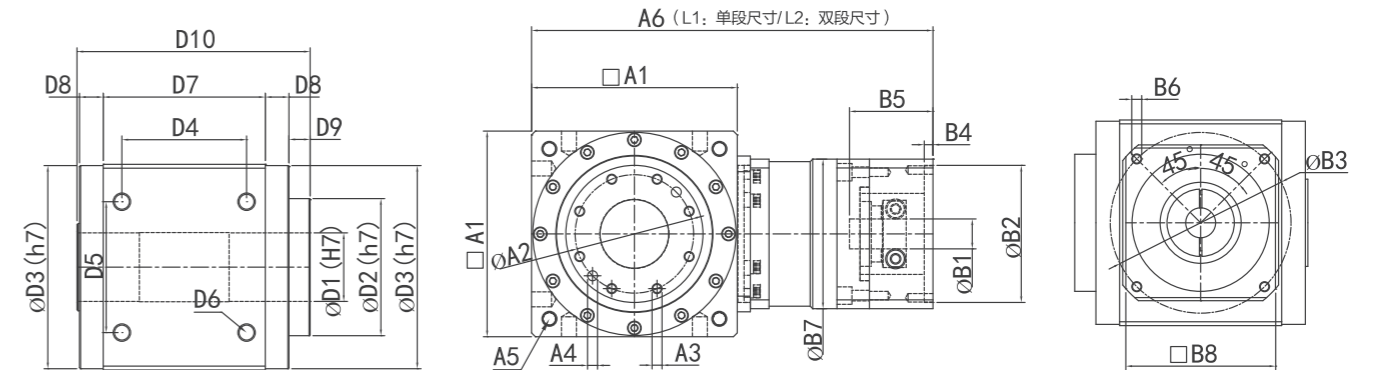
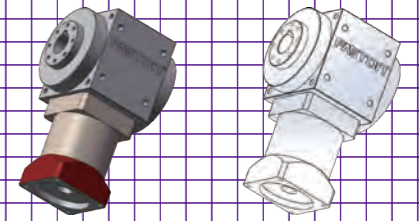
(1) Noise value measurement (the decibel meter is 1M away from the input box, and the input speed is 2000RPM test): (the noise value will increase if the input speed is above 2000)
 (2) Backlash value measurement (measured at a torque of 2% of the rated torque)
 (3) Continuous use over (12 o'clock/day) will reduce life by 1/2 (selected according to P3)
 p.s: Special customized products: gear ratio 1/300~1/1000

减速机转动惯量 Rotary Inertia of Reducer

节数 Stage	惯量单位 Unit of inertia	比数 ¹ Ratio ^a	FTX-045AS	FTX-070AS	FTX-080AS	FTX-110AS	FTX-135AS	FTX-135BS	FTX-165AS	FTX-165BS	FTX-200AS	FTX-200BS	FTX-250AS
1段 (L1)	(kg-cm ²)	6,15	0.042	0.56	0.56	3.92	6.28	3.92	14.83	6.28	33.21	14.83	33.21
		8,10,12	0.032		0.47	3.75	5.64	3.75	11.85	5.64	29.25	11.85	29.25
		14,16,18,20	0.027	0.43	0.43	3.70	5.12	3.70	10.25	5.12	25.16	10.25	25.16
		25,30,35,40,50		0.4	0.4	3.65	5.06	3.65	9.66	5.06	24.02	9.66	24.02
2段 (L2)	(kg-cm ²)	24,30,75			0.56	3.92	6.28	3.92	14.83	6.28	33.21	14.83	33.21
		32,40,35,40,50			0.47	3.75	5.64	3.75	11.85	5.64	29.25	11.85	29.25
		56,70,80,100,125,250			0.43	3.70	5.12	3.70	10.25	5.12	25.16	10.25	25.16
		120,140,160,180,200			0.4	3.65	5.06	3.65	9.66	5.06	24.02	9.66	24.02

性能资料 PERFORMANCE DATA

FTX-AS精密型输入带行星直角减速器
 FTX-AS precision input with planetary right angle reducer
 减速比ratio 1/6~/300
 RF中空旋转盘型式



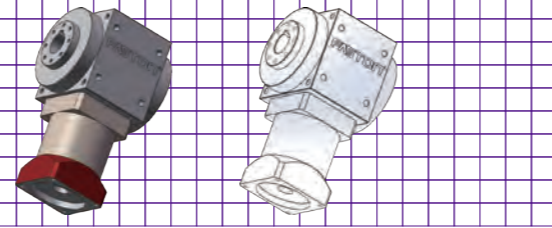
尺寸 Size	FTX045AS	FTX070AS	FTX080AS	FTX110AS	FTX135AS	FTX135BS	FTX165AS	FTX165BS	FTX200AS	FTX200BS	FTX250AS
D1	9	16	*16/20	*25/30	*35/40	*35/40	*50/55	*50/55	*65/80	*65/80	75
D2	20	38	45	65	85	85	110	110	140	140	140
D3	43.2	60	78	106	133	133	163	163	195	195	245
D4	36	41.43	49.5	68	86	78	106	100	141	129	176.78
D5	26	41.43	49.5	65	83	89	105	105	130	130	176.78
D6	4-M4*P0.7	4-M5*P0.8	4-M6*P0.8	4-M8*P1.25	4-M10*P1.5	4-M10*P1.5	4-M14*P2.0	4-M14*P2.0	4-M14*P2.0	4-M14*P2.0	4-M20*P2.5
D7	54	70	67	90	120	102	142	130	182	155	227
D8	10.5	6.25	13	15	10	19	13	19	8.5	22	21
D9	3.5	8.25	7	9.5	9.5	9.5	17	17	22	22	15
D10	80	92.25	102	131.5	151.5	151.5	187	187	223	223	284
A1	46	70	80	110	138	135	168	165	200	200	250
A2	15.5	30	36	50	70	70	95	95	124	124	124
A3	6-M3*P0.5	6-M5*P0.8	8-M5*P0.8	8-M5*P0.8	8-M8*P1.25	8-M8*P1.25	8-M8*P1.25	8-M8*P1.25	12-M8*P1.25	12-M8*P1.25	12-M10*P1.5
A4 (H7)		2-φ5	2-φ5	2-φ5	2-φ8	2-φ8	2-φ8	2-φ8	2-φ8	2-φ8	2-φ10
A5	P.C.D φ53 4-M5*P0.8	P.C.D φ75 4-M5*P0.8	P.C.D φ93 4-M6*P1.0	P.C.D φ130 4-M8*P1.25	P.C.D φ160 4-M10*P1.5	P.C.D φ160 4-M10*P1.5	P.C.D φ193 4-M12*P1.75	P.C.D φ193 4-M12*P1.75	P.C.D φ240 4-M16*P2.0	P.C.D φ240 4-M16*P2.0	P.C.D φ300 4-M30*P2.5
A6 (L1: 单段尺寸)	121	159	170	227	290	251	344	312	425	378	467
A6 (L2: 单段尺寸)			192	254	321	289	391	343	476	425	520
B1	5,6,35,8	6,35,8,9,11,14	6,35,8,9,11,14,16,19	11,14,16,19,22,24	14,16,19,22,24,28,32,35	11,14,16,19,22,24	19,22,24,28,32,35,38,42	14,16,19,22,24,28,32,35	22,24,28,32,35,38,42,55	19,22,24,28,32,35,38,42	32,35,38,42,55
B2	22,30,38.1	30,38.1,40,50,60	30,36,38.1,40,50,60,70	50,60,70,80,95,110	70,80,95,110,114.3,130	50,60,70,80,95,110	95,110,114.3,130,180	70,80,95,110,114.3,130	110,114.3,130,165,180,200	95,110,114.3,130,180	110, 114.3, 130,165,180,200
B3	43.8,45,46,66.7,70.7	45,46,66.7,70,70.7,75	45,46,66.7,70,70.7,75,90	70,75,90,100,115,130,145	90,115,130,145,165,200	70,75,90,100,115,130,145	115,130,145,165,200,215	90,115,130,145,165,200	130,145,165,200,215,235	115,130,145,165,200,215	165,200,215,235,250
B4	3	4	4.5	5.7	7	7	7	7	10	7	10
B5	≤28	≤31	≤41	≤62	≤80	≤62	≤86	≤80	≤117	≤86	≤125
B6	M3,M4	M3,M4,M5	M3,M4,M5,M6	M4,M5,M6,M8	M6,M8,M10,M12	M4,M5,M6,M8	M6,M8,M10,M12	M6,M8,M10,M12	M6,M8,M10,M12	M6,M8,M10,M12	M10,M12,M14,M16,M20
B7	46	60	60	90	120	90	142	120	182	142	200
B8	46	62,80	62,80,90	90,115,120	120,140,180	90,115,120	142,180,200	120,140,180	182,200,220	142,180,200	200,220,250

1. (*) 新增中空轴孔径(mm)。2. 实际尺寸依2D/3D图档为准。3. 连续使用12时/日以上寿命将缩短为1/2。
 1. (*) Added hollow shaft bore (mm). 2. The actual size is subject to the 2D/3D drawing file. 3. The service life will be shortened to 1/2 when used continuously for 12 hours/day.

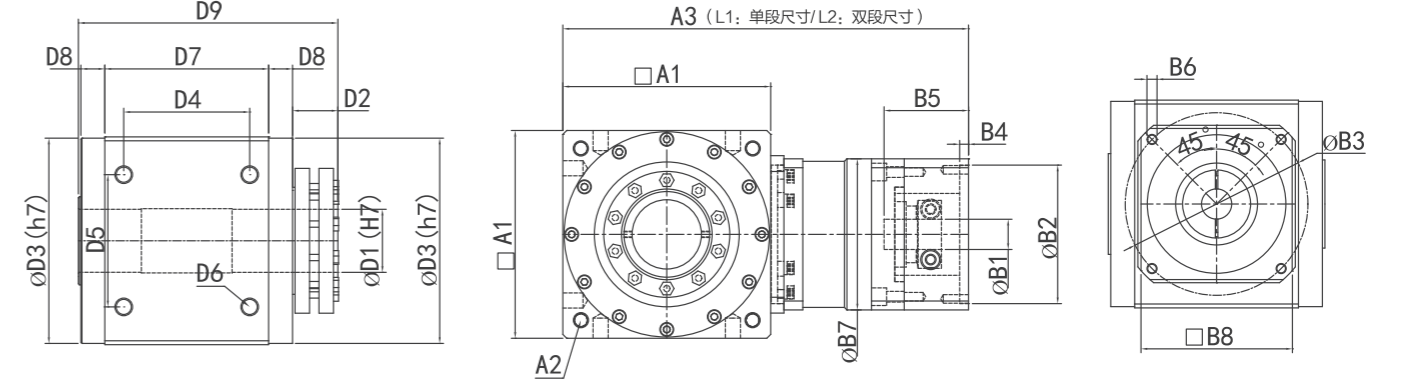
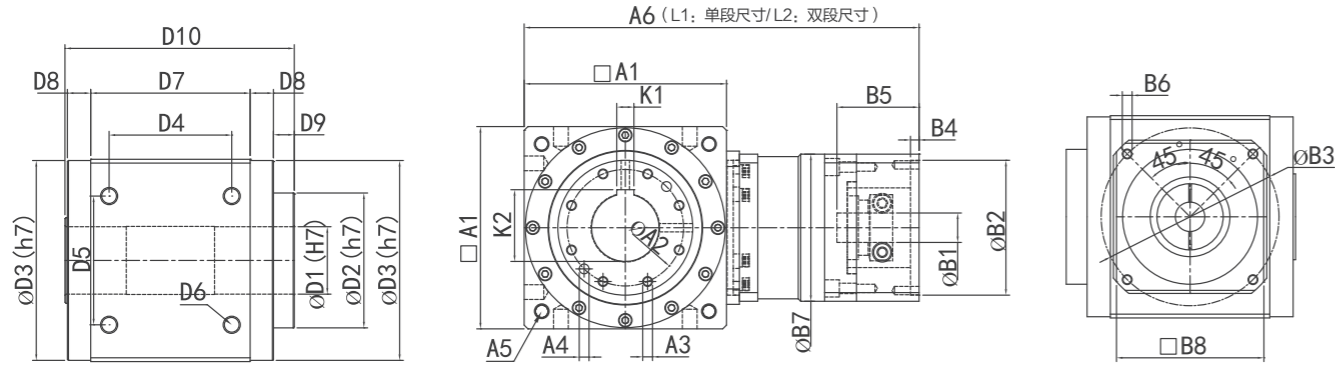
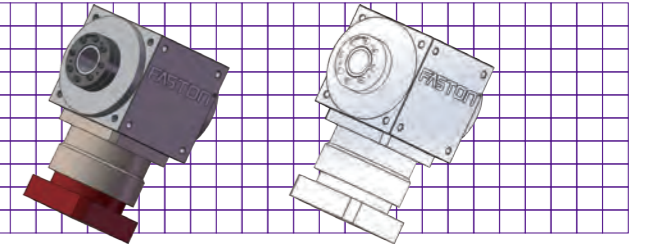
性能资料 PERFORMANCE DATA

性能资料 PERFORMANCE DATA

FTX-AS精密型输入带行星直角减速器
 FTX-AS precision input with planetary right angle reducer
 减速比ratio 1/6~300
 RF-K中空旋转盘带键槽型式



FTX-AS精密型输入带行星直角减速器
 FTX-AS precision input with planetary right angle reducer
 减速比ratio 1/6~300
 HP中空轴胀套型式



尺寸 Size	FTX070AS	FTX080AS	FTX110AS	FTX135AS	FTX135BS	FTX165AS	FTX165BS	FTX200AS	FTX200BS	FTX250AS
D1	16	16	*25/30	*35/40	*35/40	*50/55	*50/55	65	65	80
D2	22	23.25	32	36	36	36	36	36.5	36.5	52
D3	60	78	106	133	133	163	163	195	195	245
D4	41.43	49.5	68	86	78	106	100	141	129	176.78
D5	41.43	49.5	65	83	83	105	105	130	130	176.78
D6	4-M5*P0.8	4-M6*P0.8	4-M8*P1.25	4-M10*P1.5	4-M10*P1.5	4-M14*P2.0	4-M14*P2.0	4-M14*P2.0	4-M14*P2.0	4-M20*P2.5
D7	70	67	90	120	102	142	130	142	155	227
D8	6.25	13	15	10	19	13	19	13	22	21
D9	104.5	116.25	152	176	176	204	204	204	235.5	325
A1	70	80	110	138	135	168	165	168	200	250
A2	P.C.D φ 75 4-M5*P0.8	P.C.D φ 93 4-M6*P1.0	P.C.D φ 130 4-M8*P1.25	P.C.D φ 160 4-M10*P1.5	P.C.D φ 160 4-M10*P1.5	P.C.D φ 193 4-M12*P1.75	P.C.D φ 193 4-M12*P1.75	P.C.D φ 240 4-M16*P2.0	P.C.D φ 240 4-M16*P2.0	P.C.D φ 300 4-M30*P2.5
A3 (总长度)	159	170	227	290	251	344	312	425	378	467
A3 (总长度)		192	254	321	289	391	343	476	425	520
K1	5	5	8	*10/12	*10/12	14	14	18	18	20
K2	18.3	18.3	*28.3/33.3	*38.3/43.3	*38.3/43.3	*53.8/58.8	*53.8/58.8	69.4	69.4	84.9
B1	6.35,8,9 11,14	6.35,8,9 11,14, 16,19	11,14,16 19,22,24	14,16,19 22,24,28 32,35	11,14,16 19,22,24	19,22,24 28,32,35 38,42	14,16,19 22,24,28 32,35	22,24,28 32,35,38 42,55	19,22,24 28,32,35 38,42	32,35,38 42,55
B2	30,38.1, 40,50,60	30,36,38.1 40,50 60,70	50,60,70 80,95,110	70,80,95 110,114.3 130	50,60,70 80,95,110	95,110 114.3,130 180	70,80,95 110,114.3 130	110,114.3 130,165 180,200	95,110 114.3,130 180	110,114.3 130,165 180,200
B3	45,46,66.7 70,70.7,75	45,46,66.7 70,70.7 75,90	70,75,90 100,115 130,145	90,115,130 145,165 200	70,75,90 100,115 130,145	115,130 145,165 200,215	90,115 130,145 165,200	130,145 165,200 215,235	115,130 145,165 200,215	165,200 215,235 250
B4	4	4.5	5.7	7	5.7	7	7	10	7	10
B5	≤31	≤41	≤62	≤80	≤62	≤86	≤80	≤117	≤86	≤125
B6	M3,M4,M5	M3,M4 M5,M5	M4,M5 M6,M6	M6,M8 M10,M12	M4,M5 M6,M8	M6,M8 M10,M12	M6,M8 M10,M12	M8,M10 M12	M6,M8 M10,M12	M10,M12 M14,M16 M20
B7	60	60	90	120	90	142	120	182	142	200
B8	62,80	62,80,90	90,115,120	120,140,180	90,115,120	142,180,200	120,140,180	182,200,220	142,180,200	200,220,250

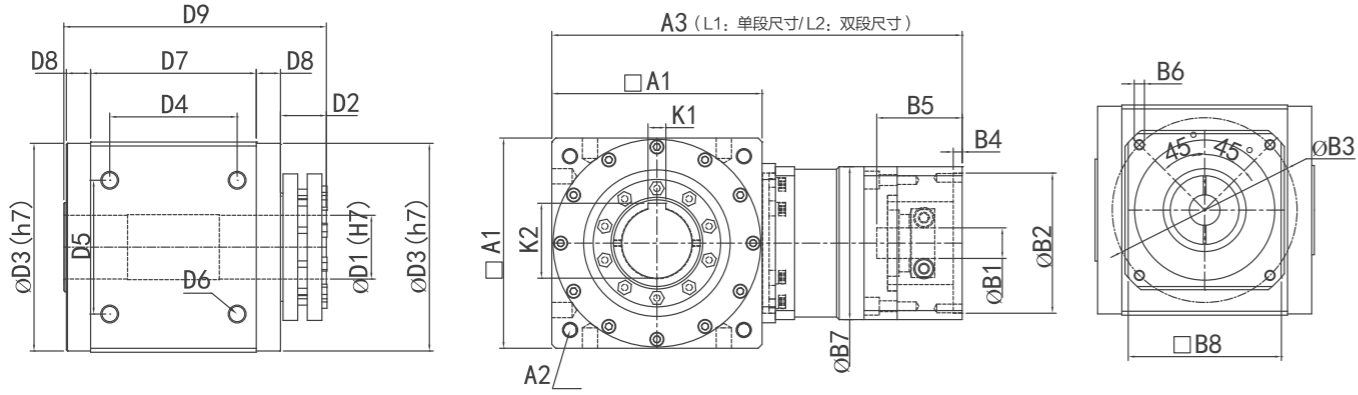
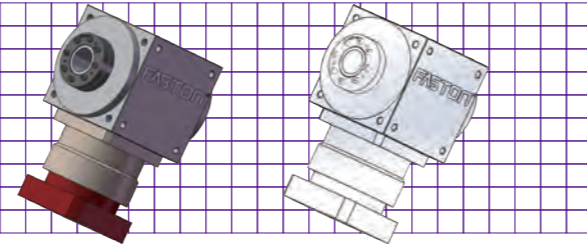
1. (*)新增中空轴孔径(mm)。2.实际尺寸依2D/3D图档为准。3.连续使用12时/日以上寿命将缩短为1/2。
 1. (*) Added hollow shaft bore (mm). 2. The actual size is subject to the 2D/3D drawing file. 3. The service life will be shortened to 1/2 when used continuously for 12 hours/day.

尺寸 Size	FTX070AS	FTX080AS	FTX110AS	FTX135AS	FTX135BS	FTX165AS	FTX165BS	FTX200AS	FTX200BS	FTX250AS
D1	16	20	*25/30	*35/40	*35/40	*50/55	*50/55	65	65	80
D2	22	23.25	32	36	36	36	36	36.5	36.5	52
D3	60	78	106	133	133	163	163	195	195	245
D4	41.43	49.5	68	86	78	106	100	141	129	176.78
D5	41.43	49.5	65	83	83	105	105	130	130	176.78
D6	4-M5*P0.8	4-M6*P0.8	4-M8*P1.25	4-M10*P1.5	4-M10*P1.5	4-M14*P2.0	4-M14*P2.0	4-M14*P2.0	4-M14*P2.0	4-M20*P2.5
D7	70	67	90	120	102	142	130	142	155	227
D8	6.25	13	15	10	19	13	19	13	22	21
D9	104.5	116.25	152	176	176	204	204	204	235.5	325
A1	70	80	110	138	135	168	165	168	200	250
A2	P.C.D φ 75 4-M5*P0.8	P.C.D φ 93 4-M6*P1.0	P.C.D φ 130 4-M8*P1.25	P.C.D φ 160 4-M10*P1.5	P.C.D φ 160 4-M10*P1.5	P.C.D φ 193 4-M12*P1.75	P.C.D φ 193 4-M12*P1.75	P.C.D φ 240 4-M16*P2.0	P.C.D φ 240 4-M16*P2.0	P.C.D φ 300 4-M30*P2.5
A3 (总长度)	159	170	227	290	251	344	312	425	378	467
A3 (总长度)		192	254	321	289	391	343	476	425	520
A3 (总长度)		192	254	321	289	391	343	476	425	520
B1	6.35,8,9 11,14	6.35,8,9 11,14, 16,19	11,14,16 19,22,24	14,16,19 22,24,28 32,35	11,14,16 19,22,24	19,22,24 28,32,35 38,42	14,16,19 22,24,28 32,35	22,24,28 32,35,38 42,55	19,22,24 28,32,35 38,42	32,35,38 42,55
B2	30,38.1, 40,50,60	30,36,38.1 40,50 60,70	50,60,70 80,95,110	70,80,95 110,114.3 130	50,60,70 80,95,110	95,110 114.3,130 180	70,80,95 110,114.3 130	110,114.3 130,165 180,200	95,110 114.3,130 180	110,114.3 130,165 180,200
B3	45,46,66.7 70,70.7,75	45,46,66.7 70,70.7 75,90	70,75,90 100,115 130,145	90,115,130 145,165 200	70,75,90 100,115 130,145	115,130 145,165 200,215	90,115 130,145 165,200	130,145 165,200 215,235	115,130 145,165 200,215	165,200 215,235 250
B4	4	4.5	5.7	7	5.7	7	7	10	7	10
B5	≤31	≤41	≤62	≤80	≤62	≤86	≤80	≤117	≤86	≤125
B6	M3,M4,M5	M3,M4 M5,M5	M4,M5 M6,M6	M6,M8 M10,M12	M4,M5 M6,M8	M6,M8 M10,M12	M6,M8 M10,M12	M8,M10 M12	M6,M8 M10,M12	M10,M12 M14,M16 M20
B7	60	60	90	120	90	142	120	182	142	200
B8	62,80	62,80,90	90,115,120	120,140,180	90,115,120	142,180,200	120,140,180	182,200,220	142,180,200	200,220,250

1. (*)新增中空轴孔径(mm)。2.实际尺寸依2D/3D图档为准。3.连续使用12时/日以上寿命将缩短为1/2。
 1. (*) Added hollow shaft bore (mm). 2. The actual size is subject to the 2D/3D drawing file. 3. The service life will be shortened to 1/2 when used continuously for 12 hours/day.

性能资料 PERFORMANCE DATA

FTX-AS精密型输入带行星直角减速器
 FTX-AS precision input with planetary right angle reducer
 减速比ratio 1/6~/300
 HP-K中空轴胀紧套带键槽型式

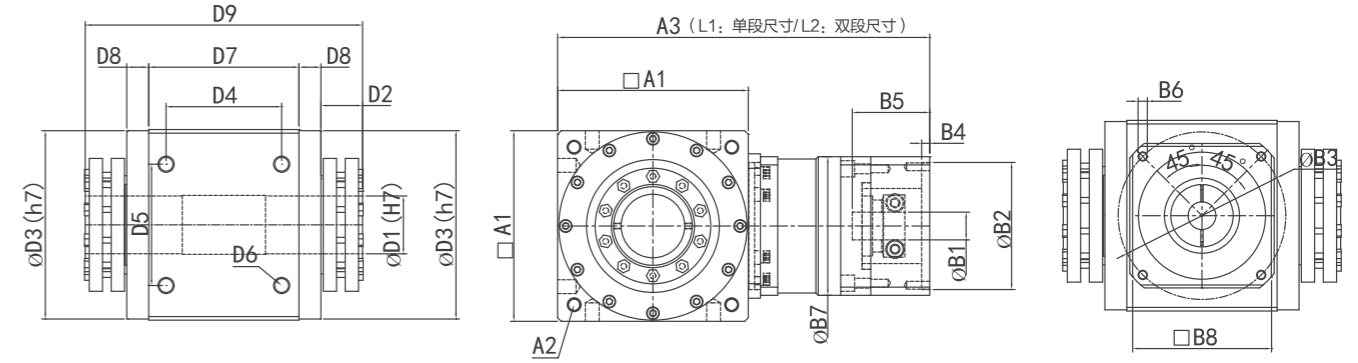
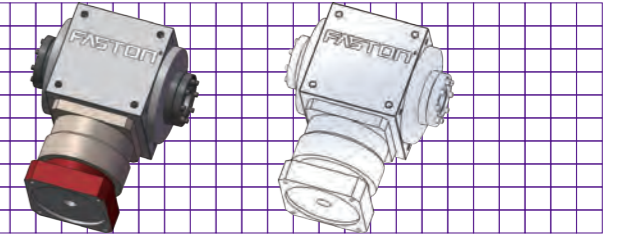


尺寸 Size	FTX070AS	FTX080AS	FTX110AS	FTX135AS	FTX135BS	FTX165AS	FTX165BS	FTX200AS	FTX200BS	FTX250AS
D1	16	16	*25/30	*35/40	*35/40	*50/55	*50/55	65	65	80
D2	22	23.25	32	36	36	36	36	36.5	36.5	52
D3	60	78	106	133	133	163	163	195	195	245
D4	41.43	49.5	68	86	78	106	100	141	129	176.78
D5	41.43	49.5	65	83	83	105	105	130	130	176.78
D6	4-M5*P0.8	4-M6*P0.8	4-M8*P1.25	4-M10*P1.5	4-M10*P1.5	4-M14*P2.0	4-M14*P2.0	4-M14*P2.0	4-M14*P2.0	4-M20*P2.5
D7	70	67	90	120	102	142	130	142	155	227
D8	6.25	13	15	10	19	13	19	13	22	21
D9	104.5	116.25	152	176	176	204	204	204	235.5	325
A1	70	80	110	138	135	168	165	168	200	250
A2	P.C.D φ 75 4-M5*P0.8	P.C.D φ 93 4-M6*P1.0	P.C.D φ 130 4-M8*P1.25	P.C.D φ 160 4-M10*P1.5	P.C.D φ 160 4-M10*P1.5	P.C.D φ 193 4-M12*P1.75	P.C.D φ 193 4-M12*P1.75	P.C.D φ 240 4-M16*P2.0	P.C.D φ 240 4-M16*P2.0	P.C.D φ 300 4-M30*P2.5
A3 (L1; 单段尺寸)	159	170	227	290	251	344	312	425	378	467
A3 (L2; 单段尺寸)	—	192	254	321	289	391	343	476	425	520
K1	5	5	8	*10/12	*10/12	14	14	18	18	20
K2	18.3	18.3	*28.3/33.3	*38.3/43.3	*38.3/43.3	*53.8/58.8	*53.8/58.8	69.4	69.4	84.9
B1	6.35,8,9 11,14	6.35,8,9 11,14, 16,19	11,14,16 19,22,24	14,16,19 22,24,28 32,35	11,14,16 19,22,24	19,22,24 28,32,35 38,42	14,16,19 22,24,28 32,35	22,24,28 32,35,38 42,55	19,22,24 28,32,35 38,42	32,35,38 42,55
B2	30,38.1, 40,50,60	30,36,38.1 40,50 60,70	50,60,70 80,95,110	70,80,95 110,114.3 130	50,60,70 80,95,110	95,110 114.3,130 180	70,80,95 110,114.3 130	110,114.3 130,165 180,200	95,110 114.3,130 180	110,114.3 130,165 180,200
B3	45,46,66.7 70,70.7,75	45,46,66.7 70,70.7 75,90	70,75,90 100,115 130,145	90,115,130 145,165 200	70,75,90 100,115 130,145	115,130 145,165 200,215	90,115 130,145 165,200	130,145 165,200 215,235	115,130 145,165 200,215	165,200 215,235 250
B4	4	4.5	5.7	7	5.7	7	7	10	7	10
B5	≤31	≤41	≤62	≤80	≤62	≤86	≤80	≤117	≤86	≤125
B6	M3,M4,M5	M3,M4 M5,M5	M4,M5 M6,M6	M6,M8 M10,M12	M4,M5 M6,M8	M6,M8 M10,M12	M6,M8 M10,M12	M8,M10 M12	M6,M8 M10,M12	M10,M12 M14,M16 M20
B7	60	60	90	120	90	142	120	182	142	200
B8	62,80	62,80,90	90,115,120	120,140,180	90,115,120	142,180,200	120,140,180	182,200,220	142,180,200	200,220,250

1. (*)新增中空轴孔径(mm)。2.实际尺寸依2D/3D图档为准。3.连续使用12时/日以上寿命将缩短为1/2。
 1. (*) Added hollow shaft bore (mm). 2. The actual size is subject to the 2D/3D drawing file. 3. The service life will be shortened to 1/2 when used continuously for 12 hours/day.

性能资料 PERFORMANCE DATA

FTX-AS精密型输入带行星直角减速器
 FTX-AS precision input with planetary right angle reducer
 减速比ratio 1/6~/300
 2HP双中空轴胀紧套型式

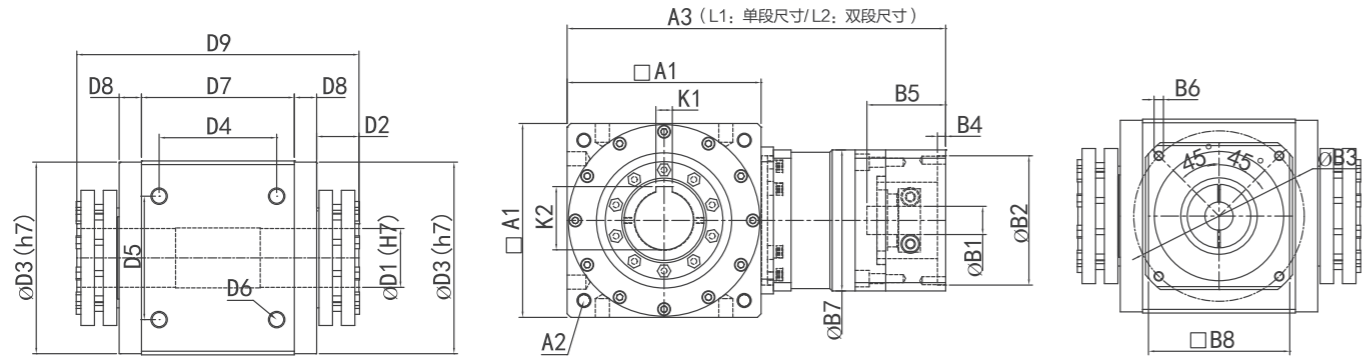
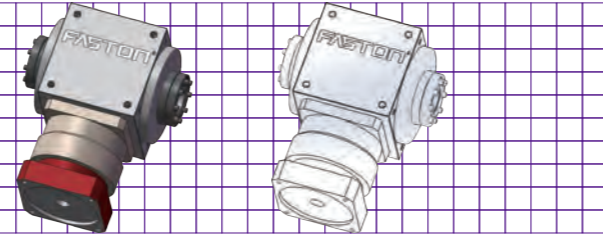


尺寸 Size	FTX070AS	FTX080AS	FTX110AS	FTX135AS	FTX135BS	FTX165AS	FTX165BS	FTX200AS	FTX200BS	FTX250AS
D1	16	20	*25/30	*35/40	*35/40	*50/55	*50/55	65	65	80
D2	22	23.25	32	36	36	36	36	36.5	36.5	52
D3	60	78	106	133	133	163	163	195	195	245
D4	41.43	49.5	68	86	78	106	100	141	129	176.78
D5	41.43	49.5	65	83	83	105	105	130	130	176.78
D6	4-M5*P0.8	4-M6*P0.8	4-M8*P1.25	4-M10*P1.5	4-M10*P1.5	4-M14*P2.0	4-M14*P2.0	4-M14*P2.0	4-M14*P2.0	4-M20*P2.5
D7	70	67	90	120	102	142	130	142	155	227
D8	6.25	13	15	10	19	13	19	13	22	21
D9	104.5	116.25	152	176	176	204	204	204	235.5	325
A1	70	80	110	138	135	168	165	168	200	250
A2	P.C.D φ 75 4-M5*P0.8	P.C.D φ 93 4-M6*P1.0	P.C.D φ 130 4-M8*P1.25	P.C.D φ 160 4-M10*P1.5	P.C.D φ 160 4-M10*P1.5	P.C.D φ 193 4-M12*P1.75	P.C.D φ 193 4-M12*P1.75	P.C.D φ 240 4-M16*P2.0	P.C.D φ 240 4-M16*P2.0	P.C.D φ 300 4-M30*P2.5
A3 (L1; 单段尺寸)	159	170	227	290	251	344	312	425	378	467
A3 (L2; 单段尺寸)	—	192	254	321	289	391	343	476	425	520
B1	6.35,8,9 11,14	6.35,8,9 11,14, 16,19	11,14,16 19,22,24	14,16,19 22,24,28 32,35	11,14,16 19,22,24	19,22,24 28,32,35 38,42	14,16,19 22,24,28 32,35	22,24,28 32,35,38 42,55	19,22,24 28,32,35 38,42	32,35,38 42,55
B2	30,38.1, 40,50,60	30,36,38.1 40,50 60,70	50,60,70 80,95,110	70,80,95 110,114.3 130	50,60,70 80,95,110	95,110 114.3,130 180	70,80,95 110,114.3 130	110,114.3 130,165 180,200	95,110 114.3,130 180	110,114.3 130,165 180,200
B3	45,46,66.7 70,70.7,75	45,46,66.7 70,70.7 75,90	70,75,90 100,115 130,145	90,115,130 145,165 200	70,75,90 100,115 130,145	115,130 145,165 200,215	90,115 130,145 165,200	130,145 165,200 215,235	115,130 145,165 200,215	165,200 215,235 250
B4	4	4.5	5.7	7	5.7	7	7	10	7	10
B5	≤31	≤41	≤62	≤80	≤62	≤86	≤80	≤117	≤86	≤125
B6	M3,M4,M5	M3,M4 M5,M5	M4,M5 M6,M6	M6,M8 M10,M12	M4,M5 M6,M8	M6,M8 M10,M12	M6,M8 M10,M12	M8,M10 M12	M6,M8 M10,M12	M10,M12 M14,M16 M20
B7	60	60	90	120	90	142	120	182	142	200
B8	62,80	62,80,90	90,115,120	120,140,180	90,115,120	142,180,200	120,140,180	182,200,220	142,180,200	200,220,250

1. (*)新增中空轴孔径(mm)。2.实际尺寸依2D/3D图档为准。3.连续使用12时/日以上寿命将缩短为1/2。
 1. (*) Added hollow shaft bore (mm). 2. The actual size is subject to the 2D/3D drawing file. 3. The service life will be shortened to 1/2 when used continuously for 12 hours/day.

性能资料 PERFORMANCE DATA

FTX-AS精密型输入带行星直角减速器
 FTX-AS precision input with planetary right angle reducer
 减速比ratio 1/6~/300
 2HP-K中空轴胀紧套带键槽型式

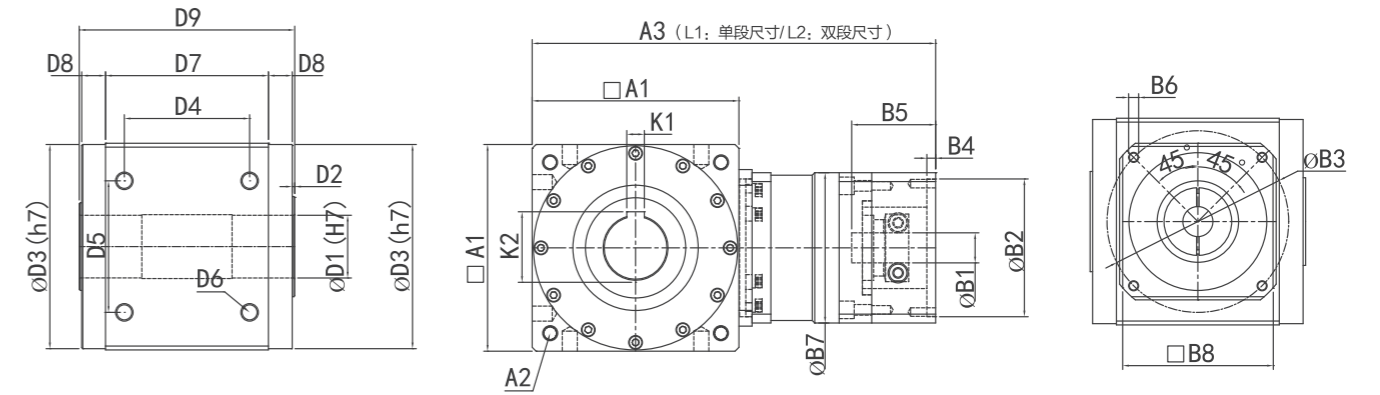
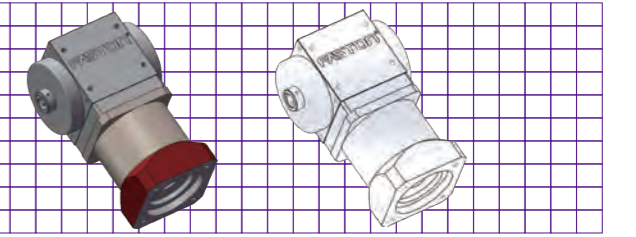


尺寸 Size	FTX070AS	FTX080AS	FTX110AS	FTX135AS	FTX135BS	FTX165AS	FTX165BS	FTX200AS	FTX200BS	FTX250AS
D1	16	16	*25/30	*35/40	*35/40	*50/55	*50/55	65	65	80
D2	22	23.25	32	36	36	36	36	36.5	36.5	52
D3	60	78	106	133	133	163	163	195	195	245
D4	41.43	49.5	68	86	78	106	100	141	129	176.78
D5	41.43	49.5	65	83	83	105	105	130	130	176.78
D6	4-M5*P0.8	4-M6*P0.8	4-M8*P1.25	4-M10*P1.5	4-M10*P1.5	4-M14*P2.0	4-M14*P2.0	4-M14*P2.0	4-M14*P2.0	4-M20*P2.5
D7	70	67	90	120	102	142	130	142	155	227
D8	6.25	13	15	10	19	13	19	13	22	21
D9	126.5	139.5	184	212	212	240	240	272	272	377
A1	70	80	110	138	135	168	165	168	200	250
A2	P.C.D φ 75 4-M5*P0.8	P.C.D φ 93 4-M6*P1.0	P.C.D φ 130 4-M8*P1.25	P.C.D φ 160 4-M10*P1.5	P.C.D φ 160 4-M10*P1.5	P.C.D φ 193 4-M12*P1.75	P.C.D φ 193 4-M12*P1.75	P.C.D φ 240 4-M16*P2.0	P.C.D φ 240 4-M16*P2.0	P.C.D φ 300 4-M30*P2.5
A3 (L1: 单段尺寸)	159	170	227	290	251	344	312	425	378	467
A3 (L2: 单段尺寸)	--	192	254	321	289	391	343	476	425	520
K1	5	5	8	*10/12	*10/12	14	14	18	18	20
K2	18.3	18.3	*28.3/33.3	*38.3/43.3	*38.3/43.3	*53.8/58.8	*53.8/58.8	69.4	69.4	84.9
B1	6.35,8,9 11,14	6.35,8,9 11,14, 16,19	11,14,16 19,22,24	14,16,19 22,24,28 32,35	11,14,16 19,22,24	19,22,24 28,32,35 38,42	14,16,19 22,24,28 32,35	22,24,28 32,35,38 42,55	19,22,24 28,32,35 38,42	32,35,38 42,55
B2	30,38.1, 40,50,60	30,36,38.1 40,50 60,70	50,60,70 80,95,110	70,80,95 110,114.3 130	50,60,70 80,95,110	95,110 114.3,130 180	70,80,95 110,114.3 130	110,114.3 130,165 180,200	95,110 114.3,130 180	110,114.3 130,165 180,200
B3	45,46,66.7 70,70.7,75	45,46,66.7 70,70.7 75,90	70,75,90 100,115 130,145	90,115,130 145,165 200	70,75,90 100,115 130,145	115,130 145,165 200,215	90,115 130,145 165,200	130,145 165,200 215,235	115,130 145,165 200,215	165,200 215,235 250
B4	4	4.5	5.7	7	5.7	7	7	10	7	10
B5	≤31	≤41	≤62	≤80	≤62	≤86	≤80	≤117	≤86	≤125
B6	M3,M4,M5	M3,M4 M5,M5	M4,M5 M6,M6	M6,M8 M10,M12	M4,M5 M6,M8	M6,M8 M10,M12	M6,M8 M10,M12	M8,M10 M12	M6,M8 M10,M12	M10,M12 M14,M16 M20
B7	60	60	90	120	90	142	120	182	142	200
B8	62,80	62,80,90	90,115,120	120,140,180	90,115,120	142,180,200	120,140,180	182,200,220	142,180,200	200,220,250

1. (*)新增中空轴孔径(mm)。2.实际尺寸依2D/3D图档为准。3.连续使用12时/日以上寿命将缩短为1/2。
 1. (*) Added hollow shaft bore (mm). 2. The actual size is subject to the 2D/3D drawing file. 3. The service life will be shortened to 1/2 when used continuously for 12 hours/day.

性能资料 PERFORMANCE DATA

FTX-AS精密型输入带行星直角减速器
 FTX-AS precision input with planetary right angle reducer
 减速比ratio 1/6~/300
 CR中空轴带键槽型式

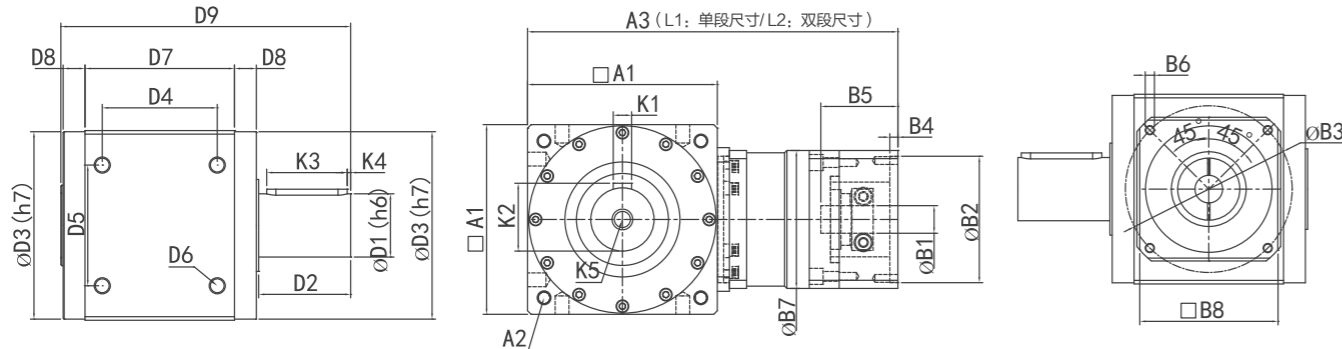
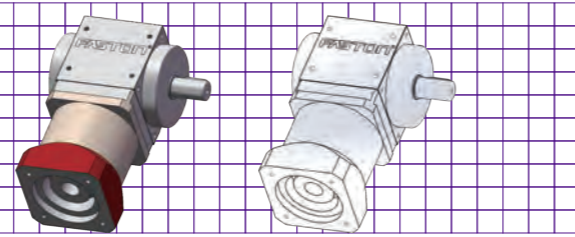


尺寸 Size	FTX070AS	FTX080AS	FTX110AS	FTX135AS	FTX135BS	FTX165AS	FTX165BS	FTX200AS	FTX200BS	FTX250AS
D1	16	20	*25/30	*35/40	*35/40	*50/55	*50/55	65	65	80
D2	1.5	1.75	2	3	3	2	2	2	2	2
D3	60	78	106	133	133	163	163	195	195	245
D4	41.43	49.5	68	86	78	106	100	141	129	176.78
D5	41.43	49.5	65	83	83	105	105	130	130	176.78
D6	4-M5*P0.8	4-M6*P0.8	4-M8*P1.25	4-M10*P1.5	4-M10*P1.5	4-M14*P2.0	4-M14*P2.0	4-M14*P2.0	4-M14*P2.0	4-M20*P2.5
D7	70	67	90	120	102	142	130	182	155	227
D8	6.25	13	15	10	19	13	19	8.5	22	21
D9	85.5	96.5	124	146	146	172	172	202	202	273
A1	70	80	110	138	135	168	165	200	200	250
A2	P.C.D φ 75 4-M5*P0.8	P.C.D φ 93 4-M6*P1.0	P.C.D φ 130 4-M8*P1.25	P.C.D φ 160 4-M10*P1.5	P.C.D φ 160 4-M10*P1.5	P.C.D φ 193 4-M12*P1.75	P.C.D φ 193 4-M12*P1.75	P.C.D φ 240 4-M16*P2.0	P.C.D φ 240 4-M16*P2.0	P.C.D φ 300 4-M30*P2.5
A3 (L1: 单段尺寸)	159	170	227	290	251	344	312	425	378	467
A3 (L2: 单段尺寸)	--	192	254	321	289	391	343	476	425	520
K1	5	5	8	*10/12	*10/12	14	14	18	18	20
K2	18.3	22.8	*28.3/33.3	*38.3/43.3	*38.3/43.3	*53.8/58.8	*53.8/58.8	69.4	69.4	84.9
B1	6.35,8,9 11,14	6.35,8,9 11,14, 16,19	11,14,16 19,22,24	14,16,19 22,24,28 32,35	11,14,16 19,22,24	19,22,24 28,32,35 38,42	14,16,19 22,24,28 32,35	22,24,28 32,35,38 42,55	19,22,24 28,32,35 38,42	32,35,38 42,55
B2	30,38.1, 40,50,60	30,36,38.1 40,50 60,70	50,60,70 80,95,110	70,80,95 110,114.3 130	50,60,70 80,95,110	95,110 114.3,130 180	70,80,95 110,114.3 130	110,114.3 130,165 180,200	95,110 114.3,130 180	110,114.3 130,165 180,200
B3	45,46,66.7 70,70.7,75	45,46,66.7 70,70.7 75,90	70,75,90 100,115 130,145	90,115,130 145,165 200	70,75,90 100,115 130,145	115,130 145,165 200,215	90,115 130,145 165,200	130,145 165,200 215,235	115,130 145,165 200,215	165,200 215,235 250
B4	4	4.5	5.7	7	5.7	7	7	10	7	10
B5	≤31	≤41	≤62	≤80	≤62	≤86	≤80	≤117	≤86	≤125
B6	M3,M4,M5	M3,M4 M5,M5	M4,M5 M6,M6	M6,M8 M10,M12	M4,M5 M6,M8	M6,M8 M10,M12	M6,M8 M10,M12	M8,M10 M12	M6,M8 M10,M12	M10,M12 M14,M16 M20
B7	60	60	90	120	90	142	120	182	142	200
B8	62,80	62,80,90	90,115,120	120,140,180	90,115,120	142,180,200	120,140,180	182,200,220	142,180,200	200,220,250

1. (*)新增中空轴孔径(mm)。2.实际尺寸依2D/3D图档为准。3.连续使用12时/日以上寿命将缩短为1/2。
 1. (*) Added hollow shaft bore (mm). 2. The actual size is subject to the 2D/3D drawing file. 3. The service life will be shortened to 1/2 when used continuously for 12 hours/day.

性能资料 PERFORMANCE DATA

FTX-AS精密型输入带行星直角减速器
FTX-AS precision input with planetary right angle reducer
减速比ratio 1/6~1/300
P单输出轴型式

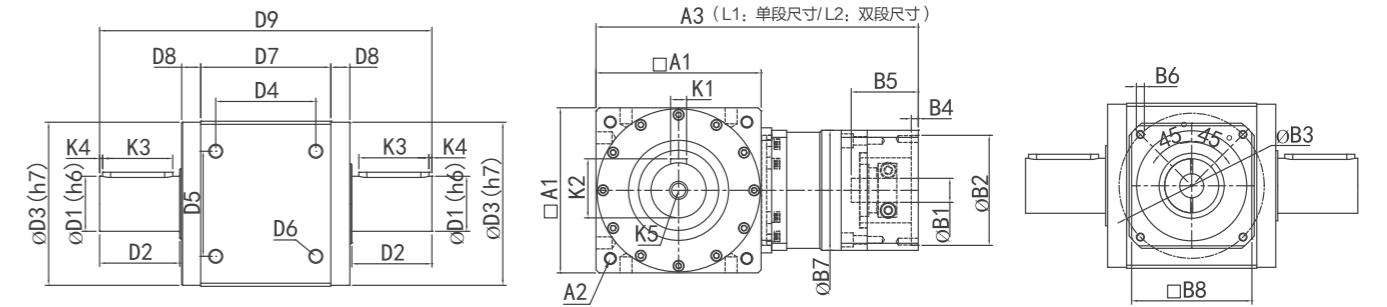
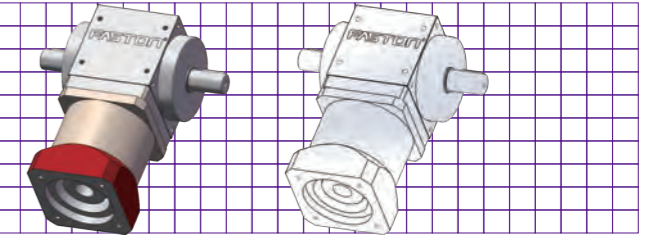


尺寸 Size	FTX045AS	FTX070AS	FTX080AS	FTX110AS	FTX135AS	FTX135BS	FTX165AS	FTX165BS	FTX200AS	FTX200BS	FTX250AS
D1	13	16	20	30	40	40	55	55	75	75	80
D2	20	25	35	45	55	55	80	80	100	100	95
D3	43.2	60	75	106	133	133	163	163	195	195	245
D4	36	41.43	49.5	68	86	86	106	100	141	129	176.78
D5	26	41.43	49.5	65	83	83	105	105	130	130	176.28
D6	4-M5*P0.7	4-M5*P0.8	4-M6*P0.8	4-M8*P1.25	4-M10*P1.5	4-M10*P1.5	4-M14*P2.0	4-M14*P2.0	4-M14*P2.0	4-M14*P2.0	4-M20*P2.5
D7	54	70	67	90	120	120	130	130	182	155	227
D8	10.5	6.25	13	15	10	10	19	19	8.5	22	21
D9	98	110.5	132	169	201	201	252	252	302	302	368
A1	46	70	80	110	138	138	165	165	200	200	250
A2	P.C.D φ53 4-M5*P0.8	P.C.D φ75 4-M5*P0.8	P.C.D φ93 4-M6*P1.0	P.C.D φ130 4-M8*P1.25	P.C.D φ160 4-M10*P1.5	P.C.D φ160 4-M10*P1.5	P.C.D φ193 4-M12*P1.75	P.C.D φ193 4-M12*P1.75	P.C.D φ240 4-M16*P2.0	P.C.D φ240 4-M16*P2.0	P.C.D φ300 4-M30*P2.5
A3 (L1: 单段尺寸)	121	159	170	227	290	290	344	312	425	378	467
A3 (L2: 单段尺寸)	--	--	192	254	321	321	391	343	476	425	520
K1	4	5	6	8	12	12	16	16	20	20	20
K2	14.5	18	22.5	33	43	43	59	59	79.5	79.5	84.5
K3	15	20	30	35	45	45	70	70	90	90	75
K4	2.5	3	3	5	5	5	3	3	5	5	5
K5	M4	M5	M6	M8	M12	M12	M16	M16	M20	M20	M20
B1	5,6,35,8	6,35,8,9 11,14	6,35,8,9 11,14, 16,19	11,14,16 19,22,24	14,16,19 22,24,28 32,35	11,14,16 19,22,24	19,22,24 28,32,35 38,42	14,16,19 22,24,28 32,35	22,24,28 32,35,38 42,55	19,22,24 28,32,35 38,42	32,35,38 42,55
B2	22,30,38,1	30,38,1, 40,50,60	30,36,38,1 40,50 60,70	50,60,70 80,95,110	70,80,95 110,114,3 130	50,60,70 80,95,110	95,110 114,3,130 180	70,80,95 110,114,3 130	110,114,3 130,165 180,200	95,110 114,3,130 180	110,114,3 130,165 180,200
B3	43,8,45,46 66,7,70,7	45,46,66,7 70,70,7,75	45,46,66,7 70,70,7 75,90	70,75,90 100,115 130,145	90,115,130 145,165 200	70,75,90 100,115 130,145	115,130 145,165 200,215	90,115 130,145 165,200	130,145 165,200 215,235	115,130 145,165 200,215	165,200 215,235 250
B4	3	4	4,5	5,7	7	5,7	7	7	10	7	10
B5	≤28	≤31	≤41	≤62	≤80	≤62	≤86	≤80	≤117	≤86	≤125
B6	M3,M4	M3,M4,M5	M3,M4 M5,M5	M4,M5 M6,M6	M6,M8 M10,M12	M4,M5 M6,M8	M6,M8 M10,M12	M6,M8 M10,M12	M8,M10 M12	M6,M8 M10,M12	M10,M12 M14,M16 M20
B7	46	60	60	90	120	90	142	120	182	142	200
B8	46	62,80	62,80,90	90,115,120	120,140,180	90,115,120	142,180,200	120,140,180	182,200,220	142,180,200	200,220,250

1. (*) 新增中空轴孔径(mm)。2. 实际尺寸依2D/3D图档为准。3. 连续使用12时/日以上寿命将缩短为1/2。
1. (*) Added hollow shaft bore (mm). 2. The actual size is subject to the 2D/3D drawing file. 3. The service life will be shortened to 1/2 when used continuously for 12 hours/day.

性能资料 PERFORMANCE DATA

FTX-AS精密型输入带行星直角减速器
FTX-AS precision input with planetary right angle reducer
减速比ratio 1/6~1/300
2P双输出轴型式



尺寸 Size	FTX045AS	FTX070AS	FTX080AS	FTX110AS	FTX135AS	FTX135BS	FTX165AS	FTX165BS	FTX200AS	FTX200BS	FTX250AS
D1	13	16	20	30	40	40	55	55	75	75	80
D2	20	25	35	45	55	55	80	80	100	100	95
D3	43.2	60	75	106	133	133	163	163	195	195	245
D4	36	41.43	49.5	68	86	86	106	100	141	129	176.78
D5	26	41.43	49.5	65	83	83	105	105	130	130	176.28
D6	4-M5*P0.7	4-M5*P0.8	4-M6*P0.8	4-M8*P1.25	4-M10*P1.5	4-M10*P1.5	4-M14*P2.0	4-M14*P2.0	4-M14*P2.0	4-M14*P2.0	4-M20*P2.5
D7	54	70	67	90	120	120	130	130	182	155	227
D8	10.5	6.25	13	15	10	10	19	19	8.5	22	21
D9	118	135.5	167	214	256	256	332	332	402	402	463
A1	46	70	80	110	138	138	168	165	200	200	250
A2	P.C.D φ53 4-M5*P0.8	P.C.D φ75 4-M5*P0.8	P.C.D φ93 4-M6*P1.0	P.C.D φ130 4-M8*P1.25	P.C.D φ160 4-M10*P1.5	P.C.D φ160 4-M10*P1.5	P.C.D φ193 4-M12*P1.75	P.C.D φ193 4-M12*P1.75	P.C.D φ240 4-M16*P2.0	P.C.D φ240 4-M16*P2.0	P.C.D φ300 4-M30*P2.5
A3 (L1: 单段尺寸)	121	159	170	227	290	290	344	312	425	378	467
A3 (L2: 单段尺寸)	--	--	192	254	321	321	391	343	476	425	520
K1	4	5	6	8	12	12	16	16	20	20	20
K2	14.5	18	22.5	33	43	43	59	59	79.5	79.5	84.5
K3	15	20	30	35	45	45	70	70	90	90	75
K4	2.5	3	3	5	5	5	3	3	5	5	5
K5	M4	M5	M6	M8	M12	M12	M16	M16	M20	M20	M20
B1	5,6,35,8	6,35,8,9 11,14	6,35,8,9 11,14, 16,19	11,14,16 19,22,24	14,16,19 22,24,28 32,35	11,14,16 19,22,24	19,22,24 28,32,35 38,42	14,16,19 22,24,28 32,35	22,24,28 32,35,38 42,55	19,22,24 28,32,35 38,42	32,35,38 42,55
B2	22,30,38,1	30,38,1, 40,50,60	30,36,38,1 40,50 60,70	50,60,70 80,95,110	70,80,95 110,114,3 130	50,60,70 80,95,110	95,110 114,3,130 180	70,80,95 110,114,3 130	110,114,3 130,165 180,200	95,110 114,3,130 180	110,114,3 130,165 180,200
B3	43,8,45,46 66,7,70,7	45,46,66,7 70,70,7,75	45,46,66,7 70,70,7 75,90	70,75,90 100,115 130,145	90,115,130 145,165 200	70,75,90 100,115 130,145	115,130 145,165 200,215	90,115 130,145 165,200	130,145 165,200 215,235	115,130 145,165 200,215	165,200 215,235 250
B4	3	4	4,5	5,7	7	5,7	7	7	10	7	10
B5	≤28	≤31	≤41	≤62	≤80	≤62	≤86	≤80	≤117	≤86	≤125
B6	M3,M4	M3,M4,M5	M3,M4 M5,M5	M4,M5 M6,M6	M6,M8 M10,M12	M4,M5 M6,M8	M6,M8 M10,M12	M6,M8 M10,M12	M8,M10 M12	M6,M8 M10,M12	M10,M12 M14,M16 M20
B7	46	60	60	90	120	90	142	120	182	142	200
B8	46	62,80	62,80,90	90,115,120	120,140,180	90,115,120	142,180,200	120,140,180	182,200,220	142,180,200	200,220,250

1. 实际尺寸依2D/3D图档为准。1. 连续使用12时/日以上寿命将缩短为1/2。
1. The actual size is subject to the 2D/3D drawing file. 2. The service life will be shortened to 1/2 when used continuously for 12 hours/day.