

AR系列 AR SERIES

247/248

精密直角减速器
PRECISION RIGHT ANGLE GEARBOX

角度旋转低背隙小于10秒

采用先进六轴精密机械加工, 一次装夹同时加工完成, 确保最佳几何精度。

传动齿输经精密研制, 运转低背隙、高精度。

精密传动、寂静、稳定、顺畅、流程; 连到精密传动, 低噪音、高刚性等高品质要求。

Angle rotation low backlash is less than 10 seconds

The right angle reducer is processed using a highprecision six axial machine. It is clamped and and finished all in one process.

Transmission gears can achieve low rotating backlash and high accuracy through precision grinding.

Precision transmission and quiet, stable operation can realize low noise, high rigidity and other requirements.



AR
实心轴 Solid shaft



AR-K
空心轴 Hollow shaft



AR-S
双出力轴 Double output shaft

- 本体结构扎实、体积小, 有效节省安装空间。
- 虽然体积小、重量轻。但具有高扭矩输出及低背隙的优异特性。
- 订购时请告知马达法兰及心轴尺寸。

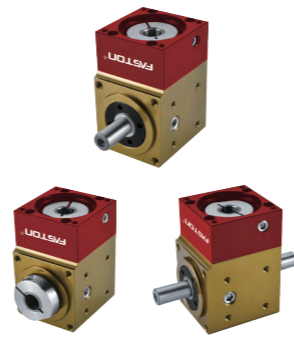
- The reducer body with a compact structure and small volume to save the mounting space.
- Although the reducer is small in volume and light in weight, and it features of high torque output and low backlash.
- When ordering, please inform the sizes of motor flange and shaft.

外形尺寸图 OUTLINE DIMENSION DRAWING

型号识别 Model Identification



P: 单出轴 Single output shaft
 2P: 双单出轴 Double output shaft
 H: 孔输出 Hole output
 S: 接行星 With planetary gearbox



规格表 Specification

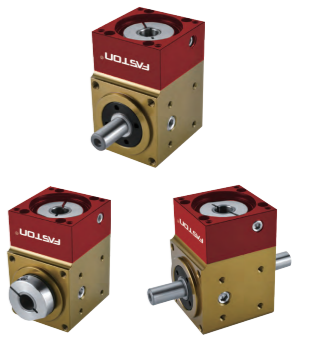
说明 Description 型号 Model No.	减速比 Ratio	容许最大扭矩 Allowable Max Torque (kgf.m/N.m)	破坏力矩值 Breaking Torque (kgf.m/N.m)	容许马达转速 Allowable Max Speed (rpm/min)	背隙 Backlash (min-arc)	重量 Weight (kg)
AR042	3	1.5/15	4/40	2500	0.5	0.5
AR042S	9.12.15.21.30	1.5/15	4/40	2500	2	0.9

外形尺寸图 OUTLINE DIMENSION DRAWING

型号识别 Model Identification



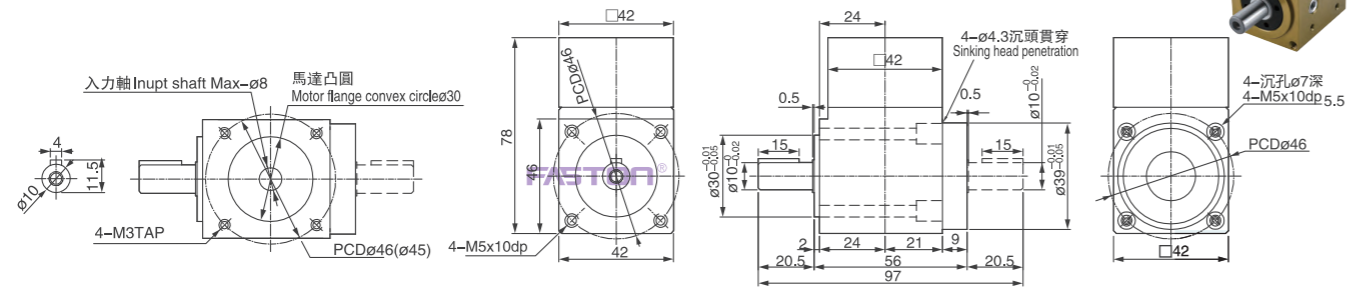
P: 单出轴 Single output shaft
 2P: 双单出轴 Double output shaft
 H: 孔输出 Hole output
 S: 接行星 With planetary gearbox



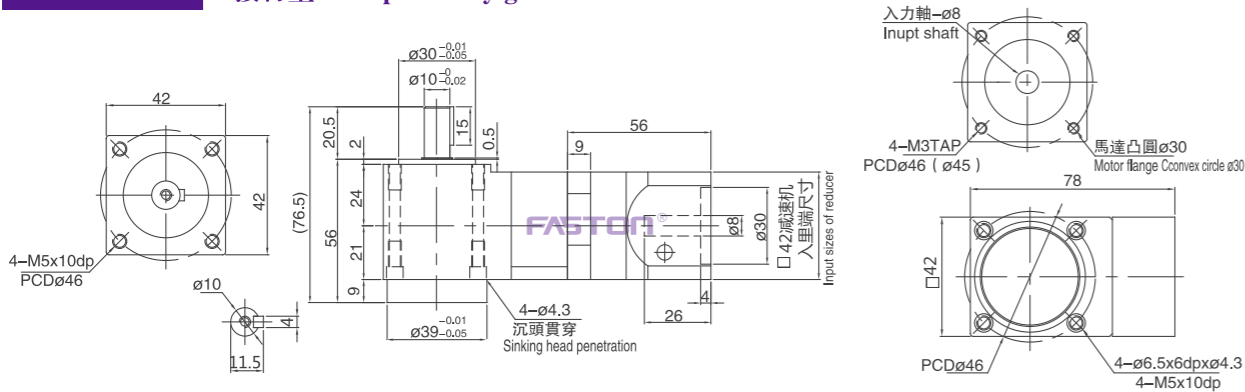
规格表 Specification

说明 Description 型号 Model No.	减速比 Ratio	容许最大扭矩 Allowable Max Torque (kgf.m/N.m)	破坏力矩值 Breaking Torque (kgf.m/N.m)	容许马达转速 Allowable Max Speed (rpm/min)	背隙 Backlash (min-arc)	重量 Weight (kg)
AR060	2.3.5	4.5/45	12/120	2500	0.5	1.2
AR060S	6.8.10.14.20	4.5/45	12/120	2500	2	2

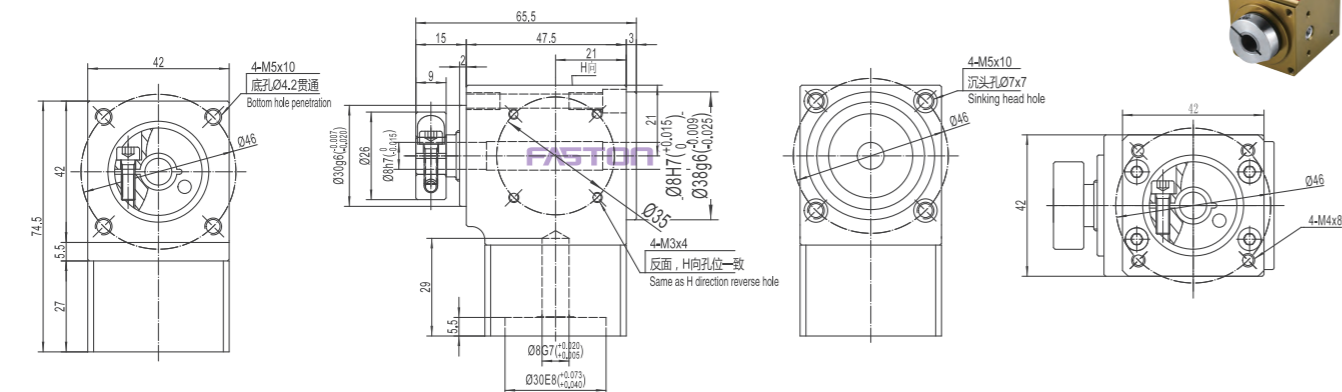
AR042P 单出轴/Single output shaft



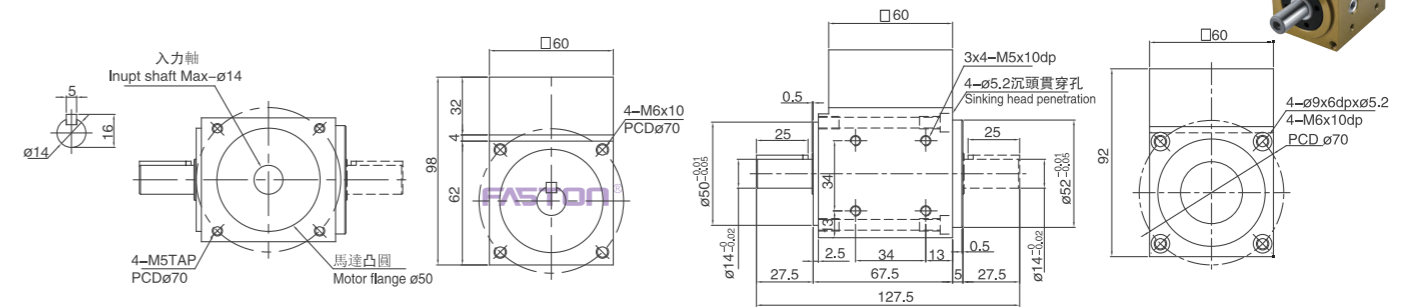
AR042S 接行星/with planetary gearbox



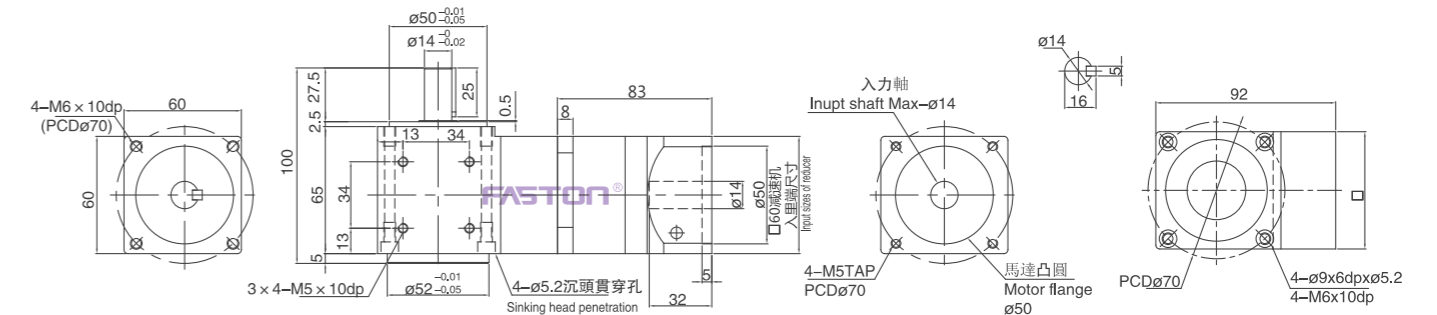
AR042H 孔输出/Hole output



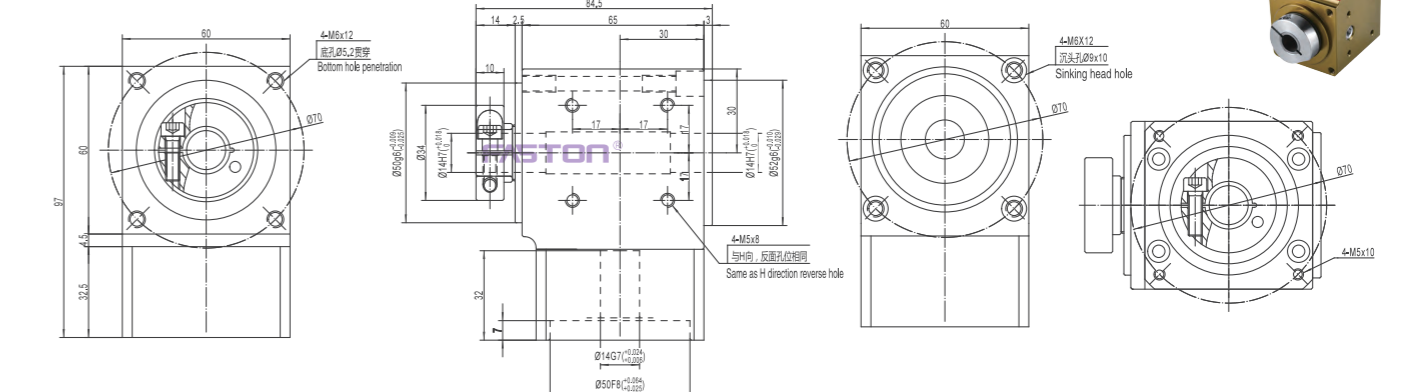
AR060P 单出轴/Single output shaft



AR060S 接行星/with planetary gearbox



AR060H 孔输出/Hole output

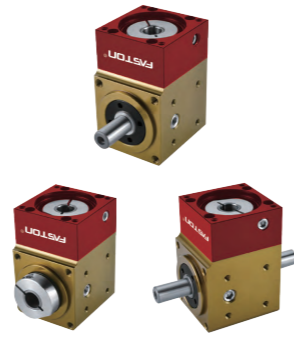


外形尺寸图 OUTLINE DIMENSION DRAWING

型号识别 Model Identification



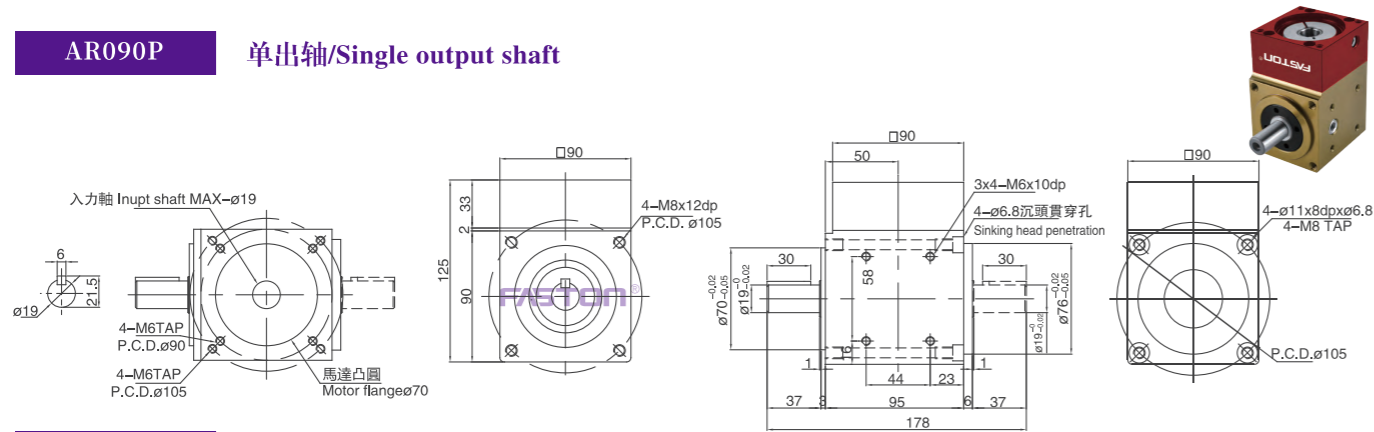
P: 单出轴 Single output shaft
 2P: 双单出轴 Double output shaft
 H: 孔输出 Hole output
 S: 接行星 With planetary gearbox



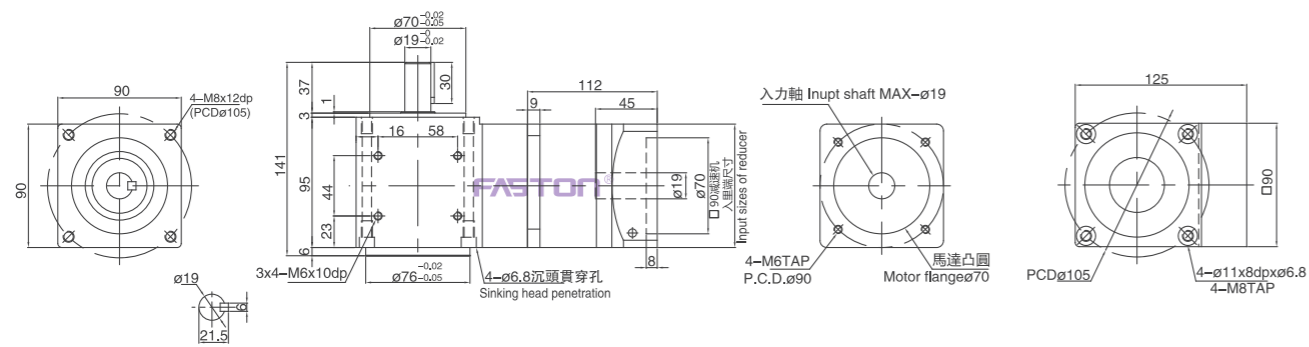
规格表 Specification

说明 Description 型号 Model No.	减速比 Ratio	容许最大扭矩 Allowable Max Torque (kgf.m/N.m)	破坏力矩值 Breaking Torque (kgf.m/N.m)	容许马达转速 Allowable Max Speed (rpm/min)	背隙 Backlash (min-arc)	重量 Weight (kg)
AR090	2.3.5	12/120	32/320	2500	0.5	3.6
AR090S	6.8.10.14.20	12/120	32/320	2500	2	6.5

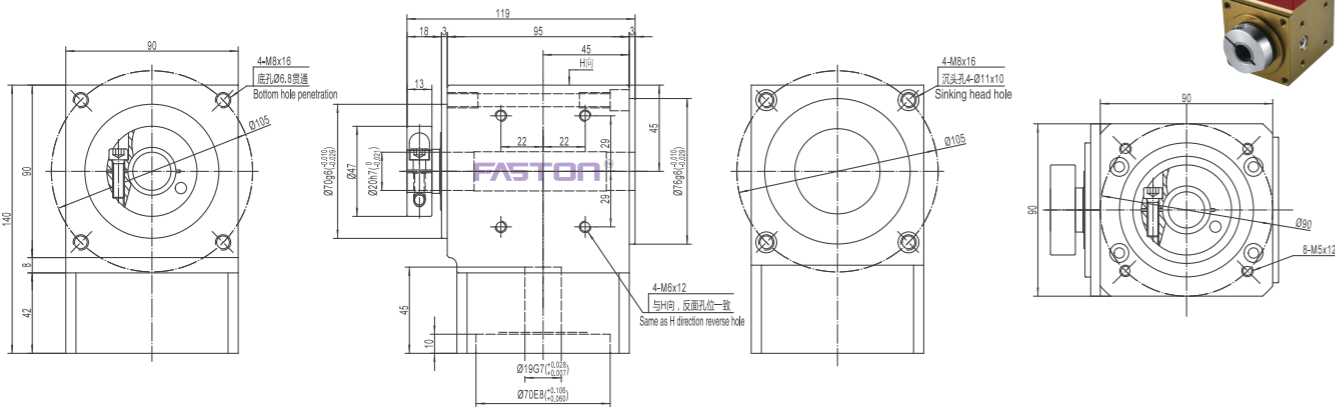
AR090P 单出轴/Single output shaft



AR090S 接行星/with planetary gearbox



AR090H 孔输出/Hole output

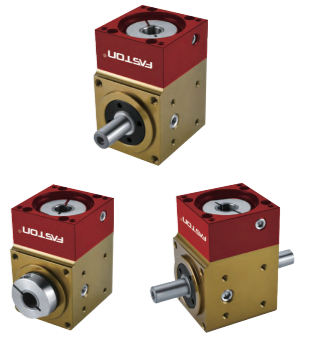


外形尺寸图 OUTLINE DIMENSION DRAWING

型号识别 Model Identification



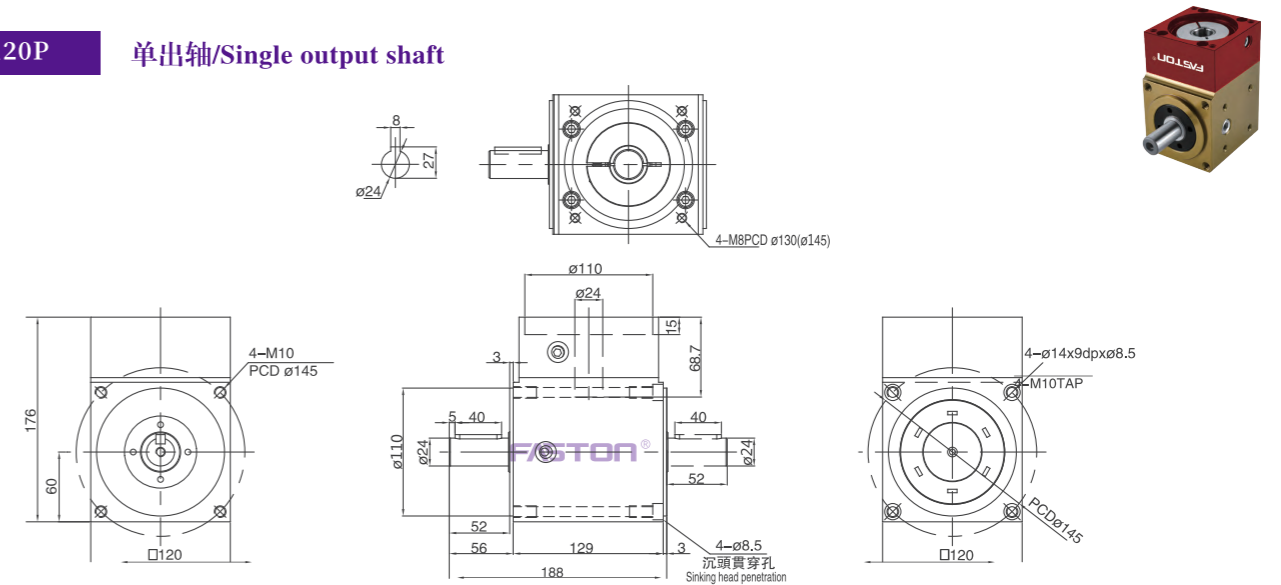
P: 单出轴 Single output shaft
 2P: 双单出轴 Double output shaft
 H: 孔输出 Hole output
 S: 接行星 With planetary gearbox



规格表 Specification

说明 Description 型号 Model No.	减速比 Ratio	容许最大扭矩 Allowable Max Torque (kgf.m/N.m)	破坏力矩值 Breaking Torque (kgf.m/N.m)	容许马达转速 Allowable Max Speed (rpm/min)	背隙 Backlash (min-arc)	重量 Weight (kg)
AR120	2.3.5	16/160	45/450	2500	0.5	8
AR120S	6.8.10.14.20	16/160	45/450	2500	2	15.5

AR120P 单出轴/Single output shaft



AR120S 接行星/with planetary gearbox

