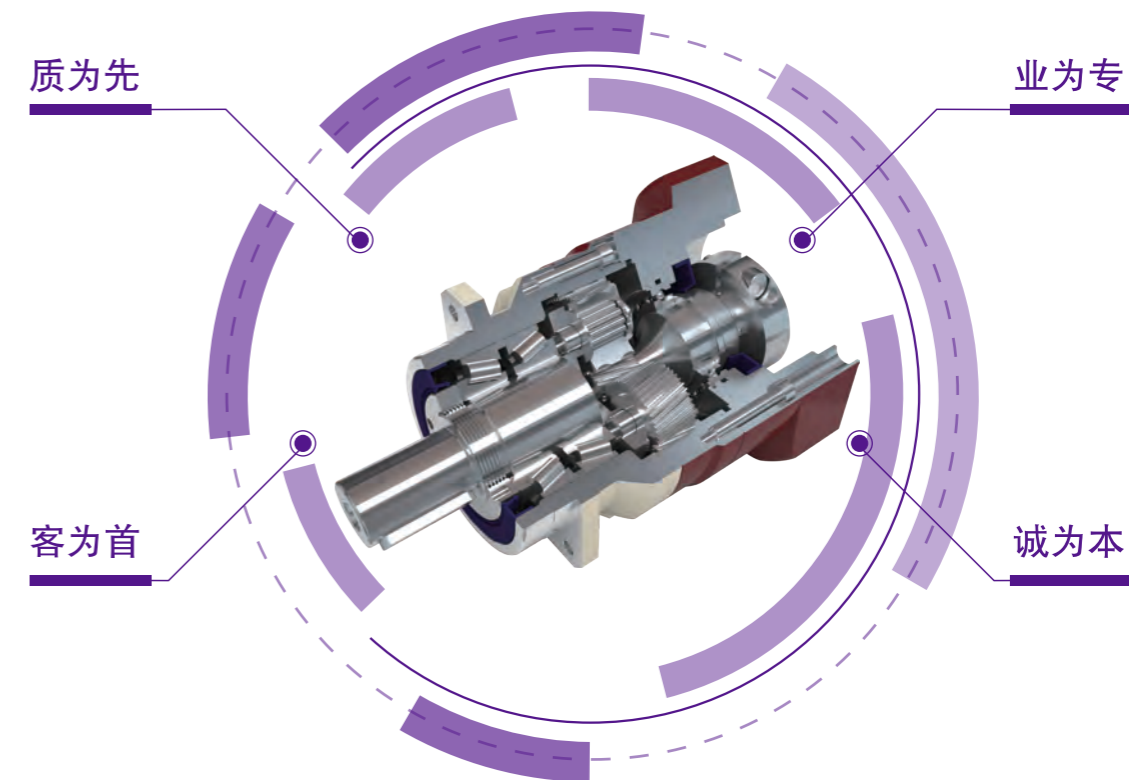


FKF系列—精度尽在掌握

FKF SERIES—PRECISION IS UNDER CONTROL

FASTON®



该系列产品集创新、高效和品质于一身，无论转矩、同步性还是运行噪音等，该系列产品在各个功能领域都成绩非凡。

This series of products integrate innovation with efficiency and quality, and regardless of torque, synchronicity or running noise, etc., have achieved remarkable results in various functional areas.

技术参数* TECHNICAL PARAMETERS

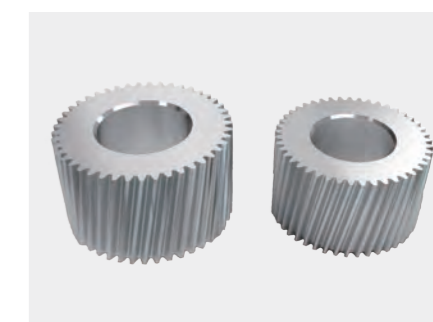
回程间隙 Return clearance	arcmin	1~7
速比 Speed ratio	i	3~100
额定输出力矩 Rated output torque	Nm	40~2000
使用温度°C Using temperature°C	°C	-10~90
噪音 The noise	dB(A)	58~70
工作效率 The work efficiency	%	97
工作寿命 The working life	h	20000



FKF系列—精度尽在掌握
FKF series-precision is under control



两列圆锥滚子轴承，能提供更大的轴向力，使用于冲击力比较大的行业
Two rows of tapered roller bearings, which provide greater axial force, are used in high-impact industries



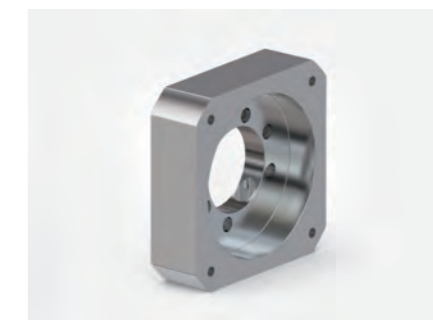
齿面宽，参数做大，实现高强度
The tooth surface is wide, the parameters are larger, and the high strength is achieved



优化的一体式齿圈设计保证最合理刚性
Optimized one-piece gear design ensures optimum rigidity



输出轴双支撑结构保证轴向零窜动
The output shaft double support structure ensures zero axial channeling



高精度一体化角块系统
High precision integrated corner block system

减速机性能资料 REDUCER PERFORMANCE DATA

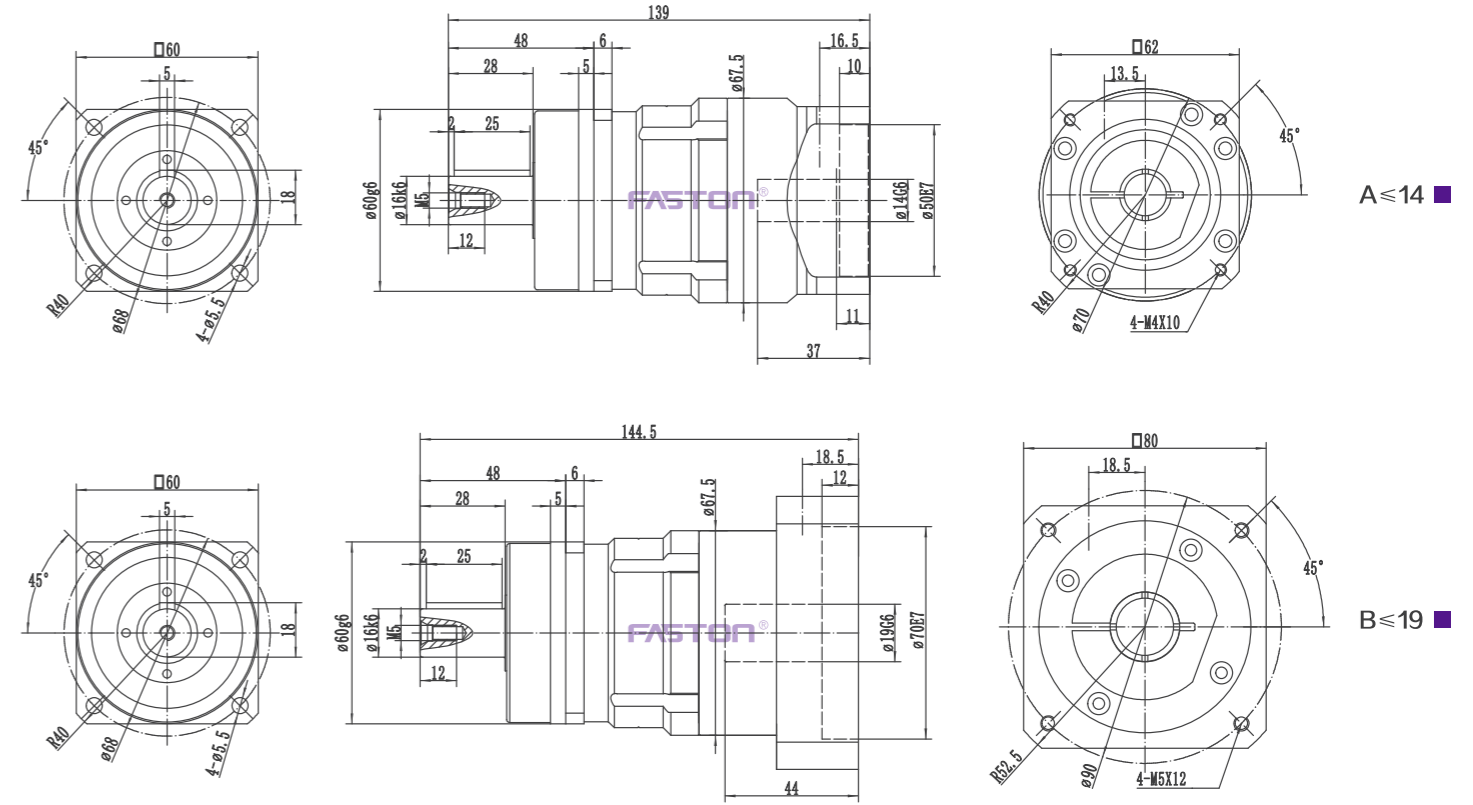
FKF060				单级/One-stage							双级/Two-stage										
速比 ⁽¹⁾ Speed ratio	i			3	4	5	6	7	8	9	10	12	16	20	25	35	40	50	70	100	
额定输出力矩(n_{1N}) Rated output torque	T_{2N}	Nm		55	50	60	55	50	45	40	40	55	50	50	60	50	50	55	50	40	
紧急制动力矩 (在减速机工作寿命内允许1000次) Emergency braking torque (1000 times during the working life of the reducer)	T_{2NOT}	Nm	3倍额定输出力矩/3 Times rated output torque																		
额定输入转速(T_{2n} , 20°C环境温度) Rated input speed (T_{2n} , 20°C ambient temperature)	n_{1N}	rpm	4000																		
最大输入转速 Maximum input speed	n_{1max}	rpm	8000																		
空载力矩($n_1=3000$ rpm, 20°C环境温度) No-load torque ($n_1=3000$ RPM, 20°C ambient temperature)	T_{012}	Nm	0.9	0.8	0.8	0.7	0.6	0.5	0.5	0.4	0.6	0.6	0.55	0.5	0.5	0.4	0.4	0.35	0.3		
回程间隙PS Backlash PS	j_t	Arcmin	≤1							≤2											
回程间隙P0 Backlash P0	j_t	Arcmin	≤2							≤3											
回程间隙P1 Backlash P1	j_t	Arcmin	≤3							≤5											
回程间隙P2 Backlash P2	j_t	Arcmin	≤5							≤7											
扭转刚度 Torsional stiffness	C_{121}	Nm/Arcmin	5																		
最大轴向力 ⁽²⁾ Maximum axial force	F_{2AMax}	N	2100																		
最大径向力 ⁽²⁾ Maximum radial force	F_{2RMax}	N	2550																		
工作效率 Work efficiency	η	%	97							94											
使用寿命 ⁽³⁾ Service life	L_h	h	20000																		
噪音($i=10$ 和 $n_1=3000$ rpm, 空载) Noise($i=10$ and $n_1=3000$ rpm, no load)	L_{PA}	DB(A)	≤58																		
重量 Weight	m	Kg	1.3							1.8											
安装方向 Installation direction	任意方向/Any direction																				
使用温度 ⁽⁴⁾ Operating temperature	-10~90																				
润滑方式 Lubrication method	终生润滑/Lifetime lubrication																				
防护等级 Protection level	IP65																				
转动惯量 Moment of inertia 按减速机输入直径(mm) Input diameter based on the reducer(mm)	11	J_1	Kgcm ²	0.25	0.2	0.2	0.15	0.13	0.12	0.1	0.1	0.1	0.1	0.09	0.08	0.08	0.08	0.08	0.08	0.08	
	14	J_1	Kgcm ²	0.28	0.25	0.25	0.22	0.18	0.17	0.15	0.14	0.17	0.17	0.17	0.16	0.16	0.16	0.16	0.16	0.16	0.15
	19	J_1	Kgcm ²	0.65	0.6	0.55	0.55	0.52	0.5	0.5	0.48	0.18	0.18	0.16	0.15	0.15	0.15	0.15	0.14	0.14	0.14

1. 可选其他减速比
2. 输出轴中心点
3. 连续运转时, 使用寿命为10000h
4. 对温度有特殊要求请与法斯頓联系

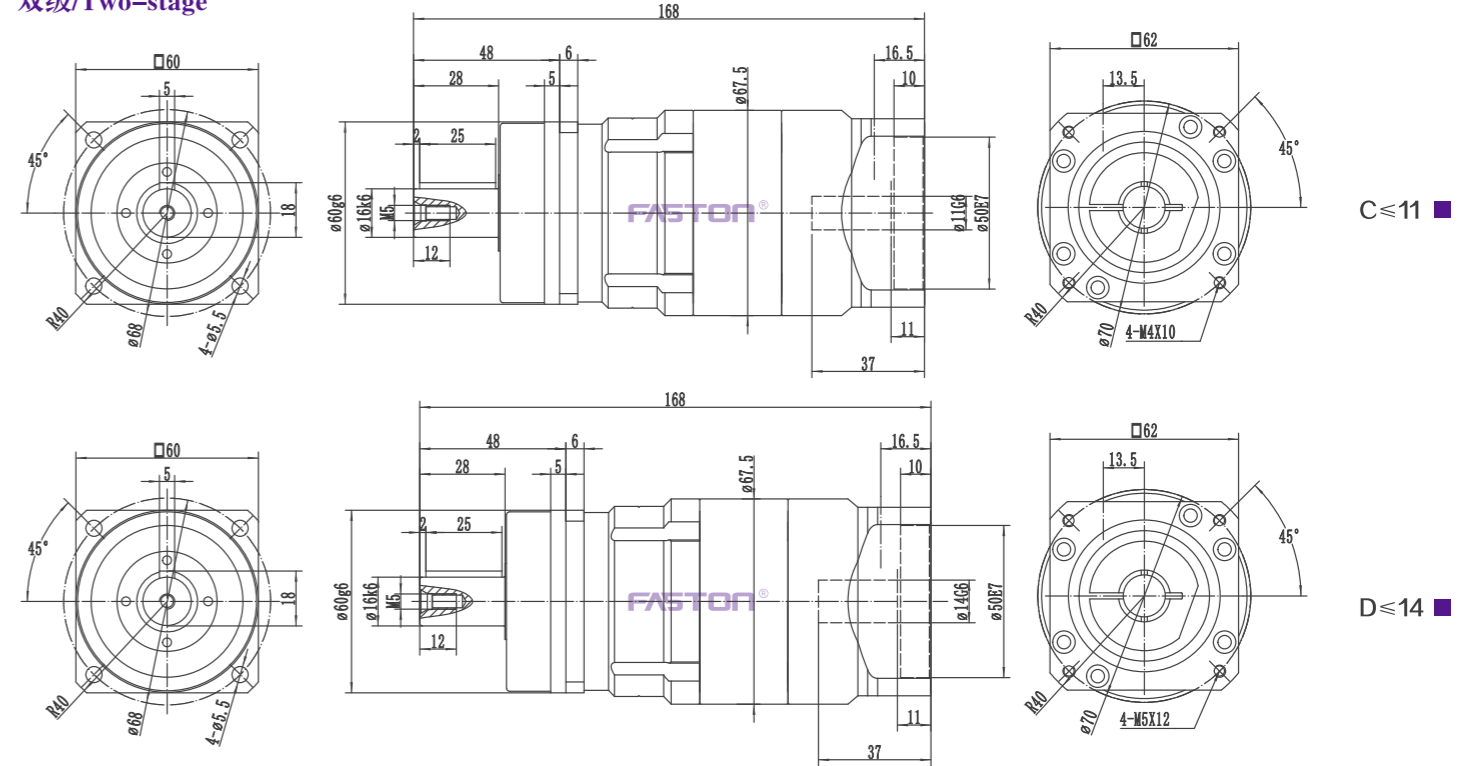
1. Optional other ratio
2. Output shaft center point
3. Service life of 10000h in continuous operation
4. For special requirements on temperature, please contact FASTON

减速机性能资料 REDUCER PERFORMANCE DATA

单级/One-stage



双级/Two-stage



(1) 请参照马达轴径尺寸
(2) 马达轴最长长度, 如有特殊的马达轴尺寸, 请与法斯頓联系
(3) 减速机输入端尺寸, 依马达的法兰面而定
*如无适合的尺寸, 请与法斯頓联系

(1) Please refer to the motor shaft diameter
(2) Motor shaft length, for special motor shaft size, please contact FASTON
(3) Reducer input size, depending on the flange surface of the motor
*If no suitable size available, please contact FASTON

A ≤ 14

B ≤ 19

C ≤ 11

D ≤ 14

减速机性能资料 REDUCER PERFORMANCE DATA

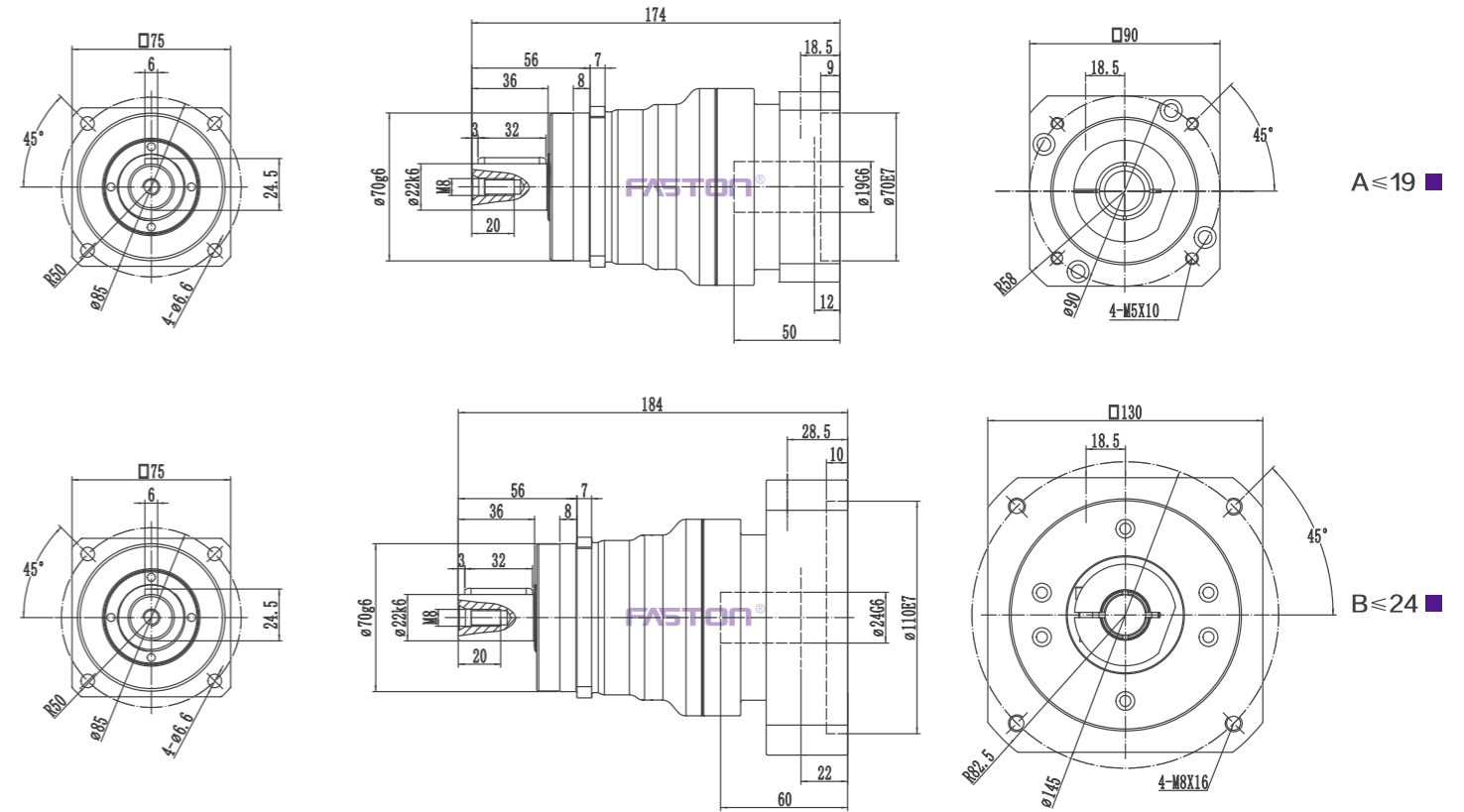
FKF075				单级/One-stage								双级/Two-stage								
速比 ⁽¹⁾ Speed ratio	i			3	4	5	6	7	8	9	10	12	16	20	25	35	40	50	70	100
额定输出力矩(n _{1N}) Rated output torque	T _{2N}	Nm		130	140	160	140	140	120	100	100	130	140	140	160	140	140	160	120	100
紧急制动力矩 (在减速机工作寿命内允许1000次) Emergency braking torque (1000 times during the working life of the reducer)	T _{2NOT}	Nm	3倍额定输出力矩/3 Times rated output torque																	
额定输入转速(T _{2n} , 20°C环境温度) Rated input speed (T _{2n} , 20°C ambient temperature)	n _{1N}	rpm	3000																	
最大输入转速 Maximum input speed	n _{1max}	rpm	6000																	
空载力矩(nl=3000rpm, 20°C环境温度) No-load torque (nl=3000 RPM, 20°C ambient temperature)	T ₀₁₂	Nm	1.8	1.7	1.6	1.5	1.4	1.1	0.8	0.7	0.9	0.8	0.7	0.6	0.5	0.5	0.4	0.3	0.3	
回程间隙PS Backlash PS	j _t	Arcmin	≤ 1								≤ 2									
回程间隙P0 Backlash P0	j _t	Arcmin	≤ 2								≤ 3									
回程间隙P1 Backlash P1	j _t	Arcmin	≤ 3								≤ 5									
回程间隙P2 Backlash P2	j _t	Arcmin	≤ 5								≤ 7									
扭转刚度 Torsional stiffness	C _{t21}	Nm/Arcmin	15																	
最大轴向力 ⁽²⁾ Maximum axial force	F _{2AMax}	N	3400																	
最大径向力 ⁽²⁾ Maximum radial force	F _{2RMax}	N	4200																	
工作效率 Work efficiency	η	%	97								94									
工作寿命 ⁽³⁾ Service life	L _h	h	20000																	
噪音(i=10和n1=3000rpm, 空载) Noise(i=10 and n1=3000rpm, no load)	L _{PA}	DB(A)	≤ 60																	
重量 Weight	m	Kg	3.9								4.6									
安装方向 Installation direction	任意方向/Any direction																			
使用温度 ⁽⁴⁾ Operating temperature	-10~90																			
润滑方式 Lubrication method	终生润滑/Lifetime lubrication																			
防护等级 Protection level	IP65																			
转动惯量 Moment of inertia 按减速机输入直径(mm) Input diameter based on the reducer(mm)	19	J ₁	Kgcm ²	1.3	1.3	1.2	1.1	0.9	0.8	0.7	0.6	0.25	0.23	0.21	0.2	0.18	0.18	0.18	0.16	0.16
	22	J ₁	Kgcm ²	2.2	2.1	2	2	1.8	1.7	1.5	1.5	0.7	0.7	0.7	0.7	0.7	0.7	0.6	0.5	0.5
	24	J ₁	Kgcm ²	2.5	2.4	2.3	2.3	2.2	2.2	2.1	2.1	0.8	0.8	0.7	0.7	0.7	0.7	0.65	0.6	0.6

1. 可选其他减速比
2. 输出轴中心点
3. 连续运转时, 使用寿命为10000h
4. 对温度有特殊要求请与法斯頓联系

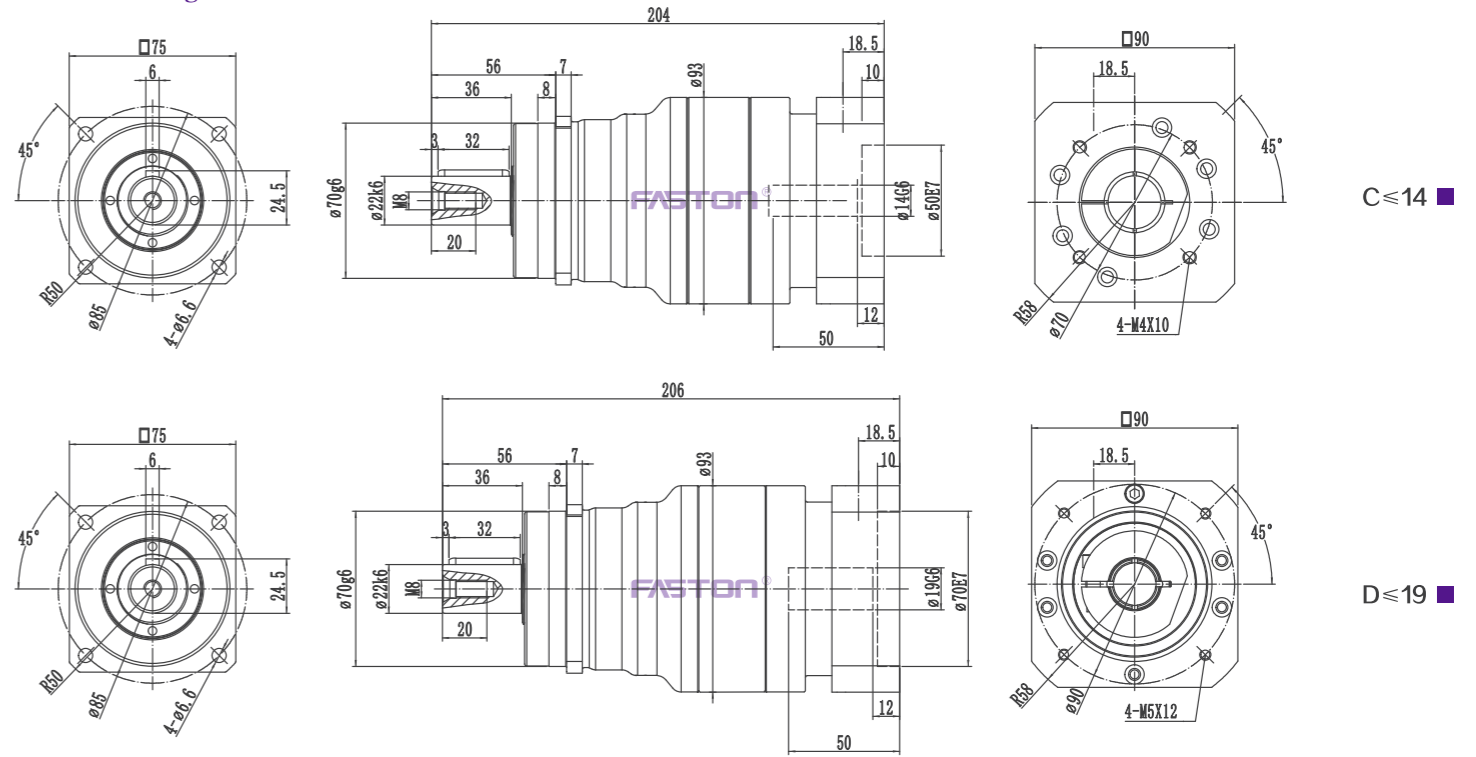
1. Optional other ratio
2. Output shaft center point
3. Service life of 10000h in continuous operation
4. For special requirements on temperature, please contact FASTON

减速机性能资料 REDUCER PERFORMANCE DATA

单级/One-stage



双级/Two-stage



(1) 请参照马达轴径尺寸
(2) 马达轴最长长度, 如有特殊的马达轴尺寸, 请与法斯頓联系
(3) 减速机输入端尺寸, 依马达的法兰面而定
*如无适合的尺寸, 请与法斯頓联系

(1) Please refer to the motor shaft diameter
(2) Motor shaft length, for special motor shaft size, please contact FASTON
(3) Reducer input size, depending on the flange surface of the motor
*If no suitable size available, please contact FASTON

减速机性能资料 REDUCER PERFORMANCE DATA

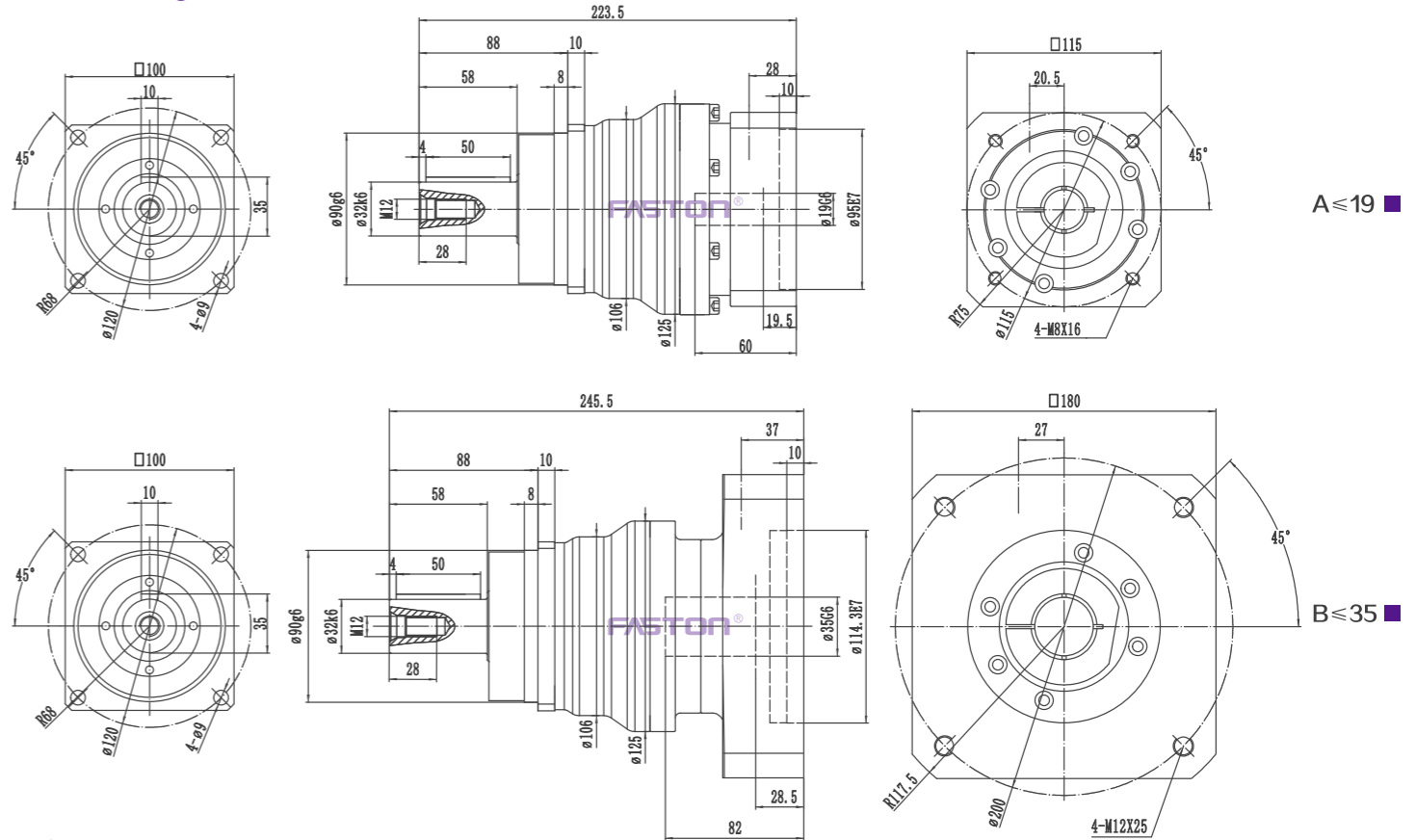
FKF100				单级/One-stage								双级/Two-stage								
速比 ⁽¹⁾ Speed ratio	i			3	4	5	6	7	8	9	10	12	16	20	25	35	40	50	70	100
额定输出力矩(n _{1N}) Rated output torque	T _{2N}	Nm		208	290	330	300	300	260	230	230	208	290	290	330	300	330	330	300	230
紧急制动力矩 (在减速机使用寿命内允许1000次) Emergency braking torque (1000 times during the working life of the reducer)	T _{2NOT}	Nm	3倍额定输出力矩/3 Times rated output torque																	
额定输入转速(T _{2n} , 20°C环境温度) Rated input speed (T _{2n} , 20 °C ambient temperature)	n _{1N}	rpm	3000																	
最大输入转速 Maximum input speed	n _{1max}	rpm	6000																	
空载力矩(nl=3000rpm, 20°C环境温度) No-load torque (nl=3000 RPM, 20°C ambient temperature)	T ₀₁₂	Nm	3.6	3	2.7	2.5	2	1.8	1.6	1.5	0.6	0.6	0.55	0.5	0.5	0.4	0.4	0.35	0.3	
回程间隙PS Backlash PS	j _t	Arcmin	≤ 1								≤ 2									
回程间隙P0 Backlash P0	j _t	Arcmin	≤ 2								≤ 3									
回程间隙P1 Backlash P1	j _t	Arcmin	≤ 3								≤ 5									
回程间隙P2 Backlash P2	j _t	Arcmin	≤ 5								≤ 7									
扭转刚度 Torsional stiffness	C _{t21}	Nm/Arcmin	25																	
最大轴向力 ⁽²⁾ Maximum axial force	F _{2AMax}	N	5900																	
最大径向力 ⁽²⁾ Maximum radial force	F _{2RMax}	N	9200																	
工作效率 Work efficiency	η	%	97								94									
使用寿命 ⁽³⁾ Service life	L _h	h	20000																	
噪音(i=10和n1=3000rpm, 空载) Noise(i=10 and n1=3000rpm, no load)	L _{PA}	DB(A)	≤ 63																	
重量 Weight	m	Kg	8.7								10									
安装方向 Installation direction	任意方向/Any direction																			
使用温度 ⁽⁴⁾ Operating temperature	-10~90																			
润滑方式 Lubrication method	终生润滑/Lifetime lubrication																			
防护等级 Protection level	IP65																			
转动惯量 Moment of inertia 按减速机输入直径(mm) Input diameter based on the reducer(mm)	19	J ₁	Kgcm ²	3.5	3	2.6	2.2	2	1.8	1.6	1.5	0.7	0.7	0.7	0.7	0.7	0.6	0.5	0.5	
	24	J ₁	Kgcm ²	4.8	4.6	4.5	4	3.5	3	2.8	2.5	0.2	1.8	1.8	1.7	1.7	1.6	1.4	1.4	
	35	J ₁	Kgcm ²	11.5	10.5	10	10	9.9	9.9	9.6	9.5	2.2	2.1	2.1	2	2	1.9	1.8	1.7	

1. 可选其他减速比
2. 输出轴中心点
3. 连续运转时, 使用寿命为10000h
4. 对温度有特殊要求请与法斯頓联系

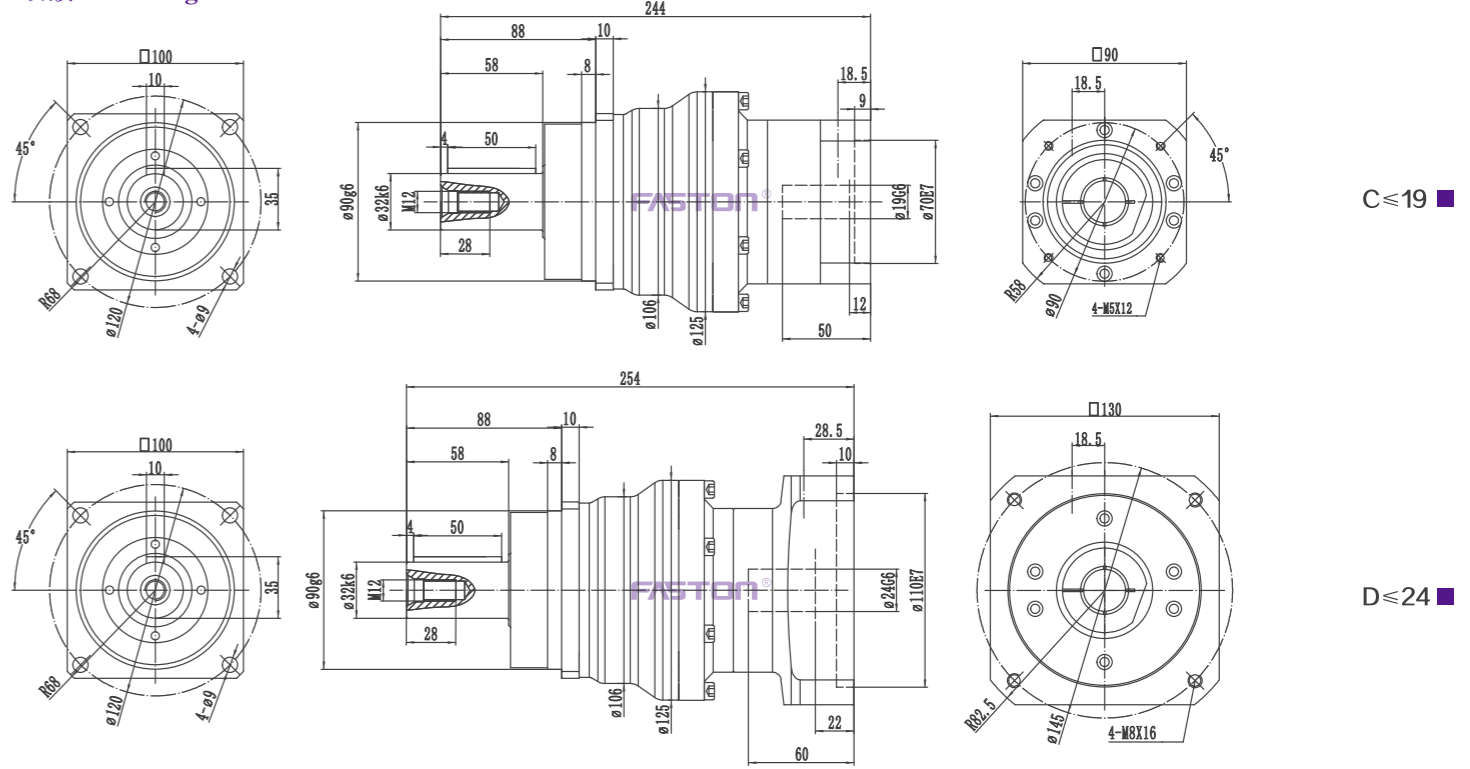
1. Optional other ratio
2. Output shaft center point
3. Service life of 10000h in continuous operation
4. For special requirements on temperature, please contact FASTON

减速机性能资料 REDUCER PERFORMANCE DATA

单级/One-stage



双级/Two-stage



(1) 请参照马达轴径尺寸
(2) 马达轴最长长度, 如有特殊的马达轴尺寸, 请与法斯頓联系
(3) 减速机输入端尺寸, 依马达的法兰面而定
*如无适合的尺寸, 请与法斯頓联系

(1) Please refer to the motor shaft diameter
(2) Motor shaft length, for special motor shaft size, please contact FASTON
(3) Reducer input size, depending on the flange surface of the motor
*If no suitable size available, please contact FASTON

减速机性能资料 REDUCER PERFORMANCE DATA

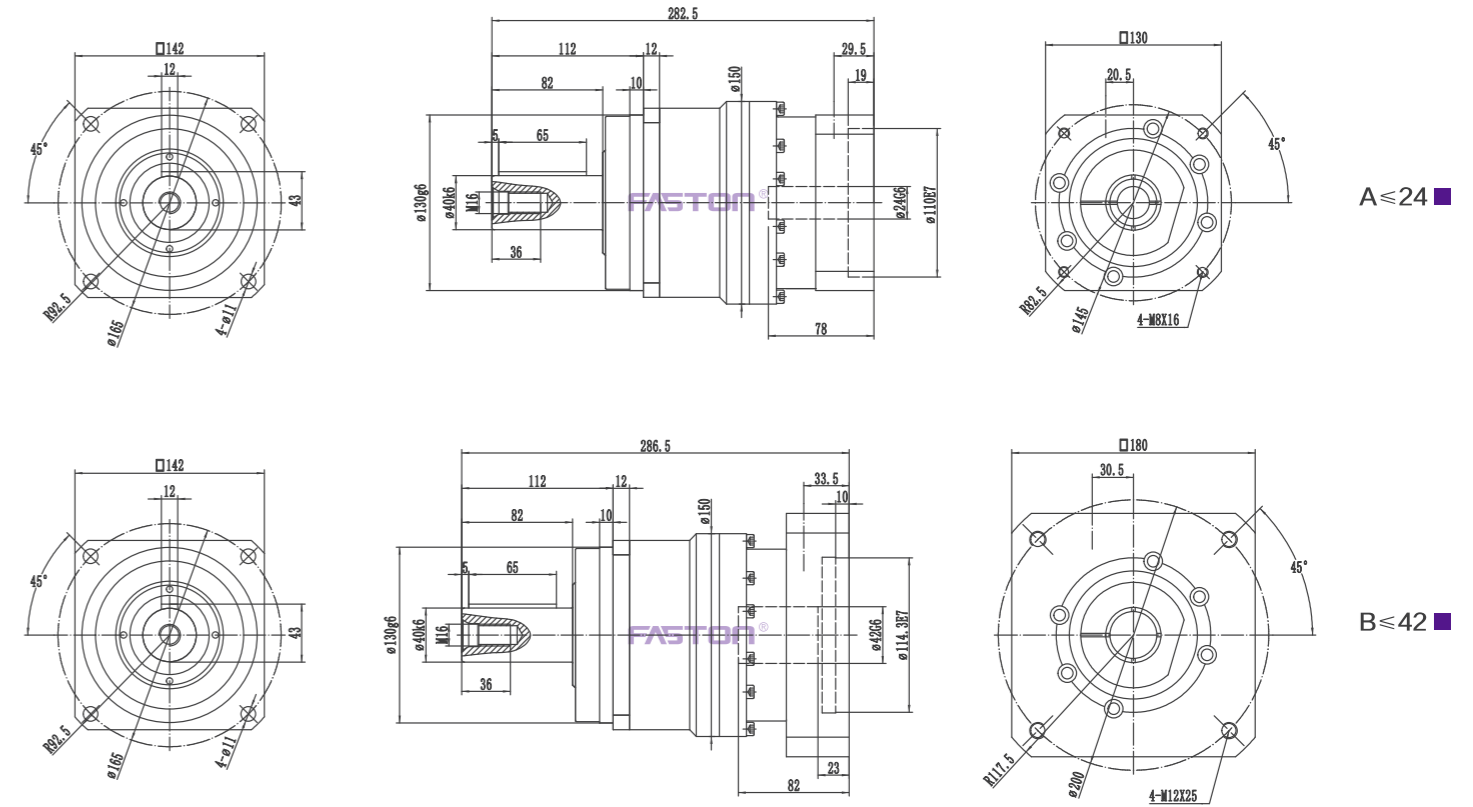
FKF142				单级/One-stage								双级/Two-stage								
速比 ⁽¹⁾ Speed ratio	i			3	4	5	6	7	8	9	10	12	16	20	25	35	40	50	70	100
额定输出力矩(n _{1N}) Rated output torque	T _{2N}	Nm		342	542	650	550	550	500	450	450	342	542	542	650	550	542	650	550	450
紧急制动力矩 (在减速机使用寿命内允许1000次) Emergency braking torque (1000 times during the working life of the reducer)	T _{2NOT}	Nm	3倍额定输出力矩/3 Times rated output torque																	
额定输入转速(T _{2n} , 20°C环境温度) Rated input speed (T _{2n} , 20°C ambient temperature)	n _{1N}	rpm	3000																	
最大输入转速 Maximum input speed	n _{1max}	rpm	6000																	
空载力矩(n ₁ =3000rpm, 20°C环境温度) No-load torque (n ₁ =3000 RPM, 20°C ambient temperature)	T ₀₁₂	Nm	8	6	4.7	4.5	3.5	2.5	2.5	2.5	3.5	2.8	2.6	2.2	2.0	1.9	1.8	1.6	1.5	
回程间隙PS Backlash PS	j _t	Arcmin	≤ 1								≤ 2									
回程间隙P0 Backlash P0	j _t	Arcmin	≤ 2								≤ 3									
回程间隙P1 Backlash P1	j _t	Arcmin	≤ 3								≤ 5									
回程间隙P2 Backlash P2	j _t	Arcmin	≤ 5								≤ 7									
扭转刚度 Torsional stiffness	C _{t21}	Nm/Arcmin	54																	
最大轴向力 ⁽²⁾ Maximum axial force	F _{2AMax}	N	11000																	
最大径向力 ⁽²⁾ Maximum radial force	F _{2RMax}	N	14000																	
工作效率 Work efficiency	η	%	97								94									
使用寿命 ⁽³⁾ Service life	L _h	h	20000																	
噪音(i=10和n ₁ =3000rpm, 空载) Noise(i=10 and n ₁ =3000rpm, no load)	L _{PA}	DB(A)	≤ 65																	
重量 Weight	m	Kg	16								20									
安装方向 Installation direction	任意方向/Any direction																			
使用温度 ⁽⁴⁾ Operating temperature	-10~90																			
润滑方式 Lubrication method	终生润滑/Lifetime lubrication																			
防护等级 Protection level	IP65																			
转动惯量 Moment of inertia 按减速机输入直径(mm) Input diameter based on the reducer(mm)	24	J ₁	Kgcm ²	10.5	8	8	7.2	7	6.5	5.8	5.5	2.6	2.2	2	1.7	1.7	1.6	1.4	1.4	1.4
	35	J ₁	Kgcm ²	14.5	12	11	10	10	9.5	9.5	9	3.3	3.2	3	2.9	2.7	2.5	2.3	2.2	2
	42	J ₁	Kgcm ²	26	25	24.5	24.1	23.5	23	22.5	22	14.5	12	11	10	10	9.5	9.5	9	9

1. 可选其他减速比
2. 输出轴中心点
3. 连续运转时, 使用寿命为10000h
4. 对温度有特殊要求请与法斯頓联系

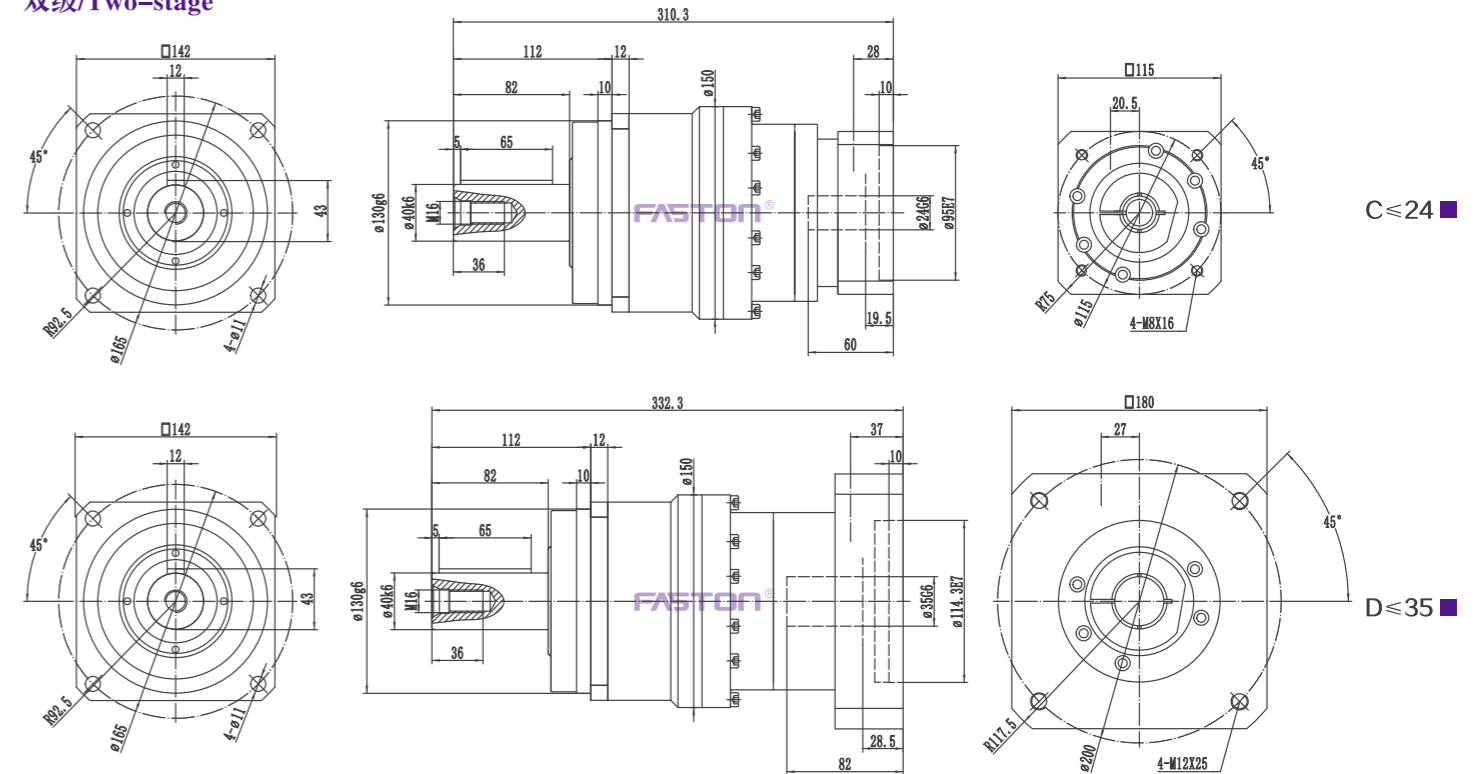
1. Optional other ratio
2. Output shaft center point
3. Service life of 10000h in continuous operation
4. For special requirements on temperature, please contact FASTON

减速机性能资料 REDUCER PERFORMANCE DATA

单级/One-stage



双级/Two-stage



(1) 请参照马达轴径尺寸
(2) 马达轴最长长度, 如有特殊的马达轴尺寸, 请与法斯頓联系
(3) 减速机输入端尺寸, 依马达的法兰面而定
*如无适合的尺寸, 请与法斯頓联系

(1) Please refer to the motor shaft diameter
(2) Motor shaft length, for special motor shaft size, please contact FASTON
(3) Reducer input size, depending on the flange surface of the motor
*If no suitable size available, please contact FASTON

减速机性能资料 REDUCER PERFORMANCE DATA

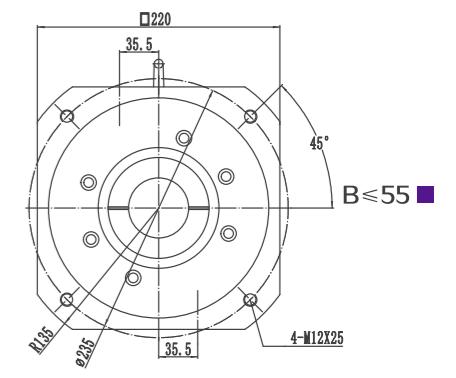
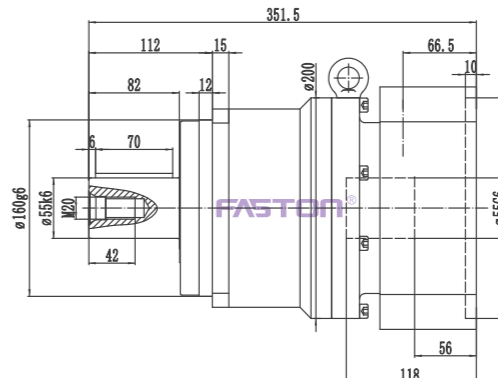
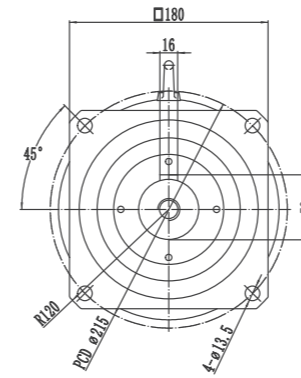
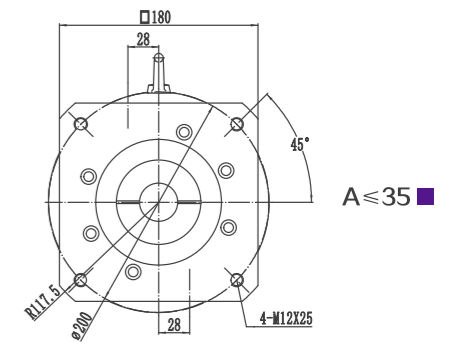
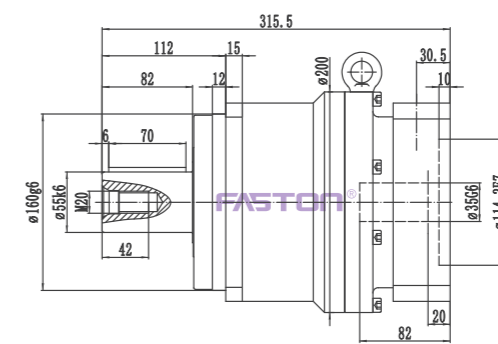
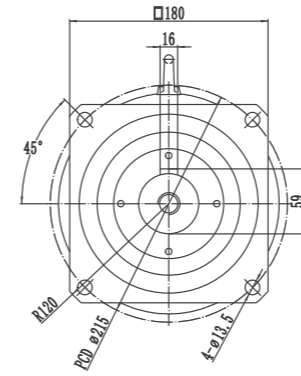
FKF180				单级/One-stage								双级/Two-stage								
速比 ⁽¹⁾ Speed ratio	i			3	4	5	6	7	8	9	10	12	16	20	25	35	40	50	70	100
额定输出力矩(n_{1N}) Rated output torque	T_{2N}	Nm		750	1050	1200	1100	1100	1000	900	900	750	1050	1050	1200	1100	1020	1200	1100	900
紧急制动力矩 (在减速机使用寿命内允许1000次) Emergency braking torque (1000 times during the working life of the reducer)	T_{2NOT}	Nm	3倍额定输出力矩/3 Times rated output torque																	
额定输入转速(T_{2n} , 20°C环境温度) Rated input speed (T_{2n} , 20°C ambient temperature)	n_{1N}	rpm	3000																	
最大输入转速 Maximum input speed	n_{1max}	rpm	6000																	
空载力矩($n_1=3000rpm$, 20°C环境温度) No-load torque ($n_1=3000RPM$, 20°C ambient temperature)	T_{012}	Nm	15	13	12	11	9	7.5	6.5	5.5	14	11	11	9	9	8	7	6.8	5	
回程间隙PS Backlash PS	j_t	Arcmin	≤1								≤2									
回程间隙P0 Backlash P0	j_t	Arcmin	≤2								≤3									
回程间隙P1 Backlash P1	j_t	Arcmin	≤3								≤5									
回程间隙P2 Backlash P2	j_t	Arcmin	≤5								≤7									
扭转刚度 Torsional stiffness	C_{121}	Nm/Arcmin	150																	
最大轴向力 ⁽²⁾ Maximum axial force	F_{2AMax}	N	15000																	
最大径向力 ⁽²⁾ Maximum radial force	F_{2RMax}	N	18000																	
工作效率 Work efficiency	η	%	97								94									
使用寿命 ⁽³⁾ Service life	L_h	h	20000																	
噪音($i=10$ 和 $n_1=3000rpm$, 空载) Noise($i=10$ and $n_1=3000rpm$, no load)	L_{PA}	DB(A)	≤67																	
重量 Weight	m	Kg	31								39									
安装方向 Installation direction	任意方向/Any direction																			
使用温度 ⁽⁴⁾ Operating temperature	-10~90																			
润滑方式 Lubrication method	终生润滑/Lifetime lubrication																			
防护等级 Protection level	IP65																			
转动惯量 Moment of inertia 按减速机输入直径(mm) Input diameter based on the reducer(mm)	35	J_1	Kgcm ²	49	35	30	25	23	22	20	19	9.5	9	8.8	8.2	7.9	7.5	6.8	6.2	5.5
	42	J_1	Kgcm ²	52	41	37	36	35	32	30	28	12	11.4	10.9	10.2	9.8	9.7	9.3	9.0	8.5
	55	J_1	Kgcm ²	66	50	44	42	40	38	36	36	13	12.1	11	10.5	10.2	10	9.9	9.8	9.5

1. 可选其他减速比
2. 输出轴中心点
3. 连续运转时, 使用寿命为10000h
4. 对温度有特殊要求请与法斯頓联系

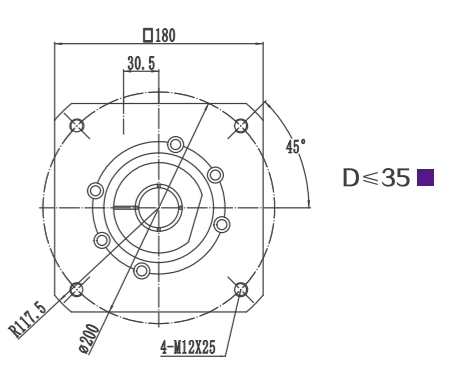
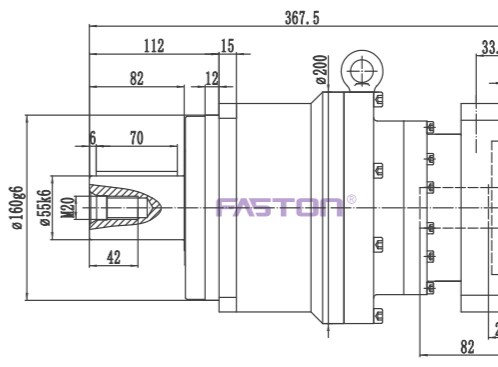
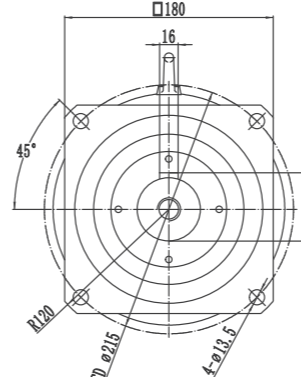
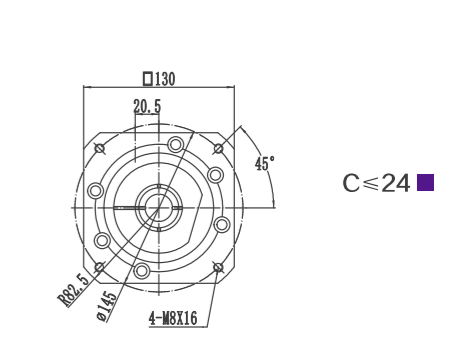
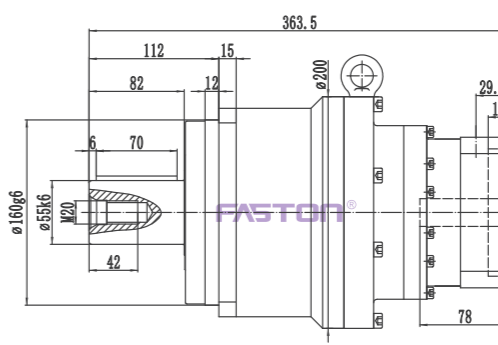
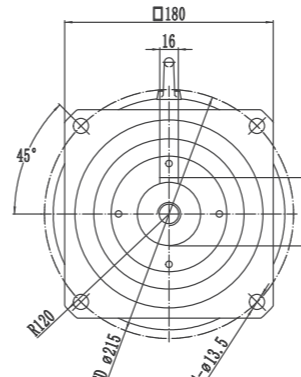
1. Optional other ratio
2. Output shaft center point
3. Service life of 10000h in continuous operation
4. For special requirements on temperature, please contact FASTON

减速机性能资料 REDUCER PERFORMANCE DATA

单级/One-stage



双级/Two-stage



(1) 请参照马达轴径尺寸
(2) 马达轴最长长度, 如有特殊的马达轴尺寸, 请与法斯頓联系
(3) 减速机输入端尺寸, 依马达的法兰面而定
*如无适合的尺寸, 请与法斯頓联系

(1) Please refer to the motor shaft diameter
(2) Motor shaft length, for special motor shaft size, please contact FASTON
(3) Reducer input size, depending on the flange surface of the motor
*If no suitable size available, please contact FASTON

减速机性能资料 REDUCER PERFORMANCE DATA

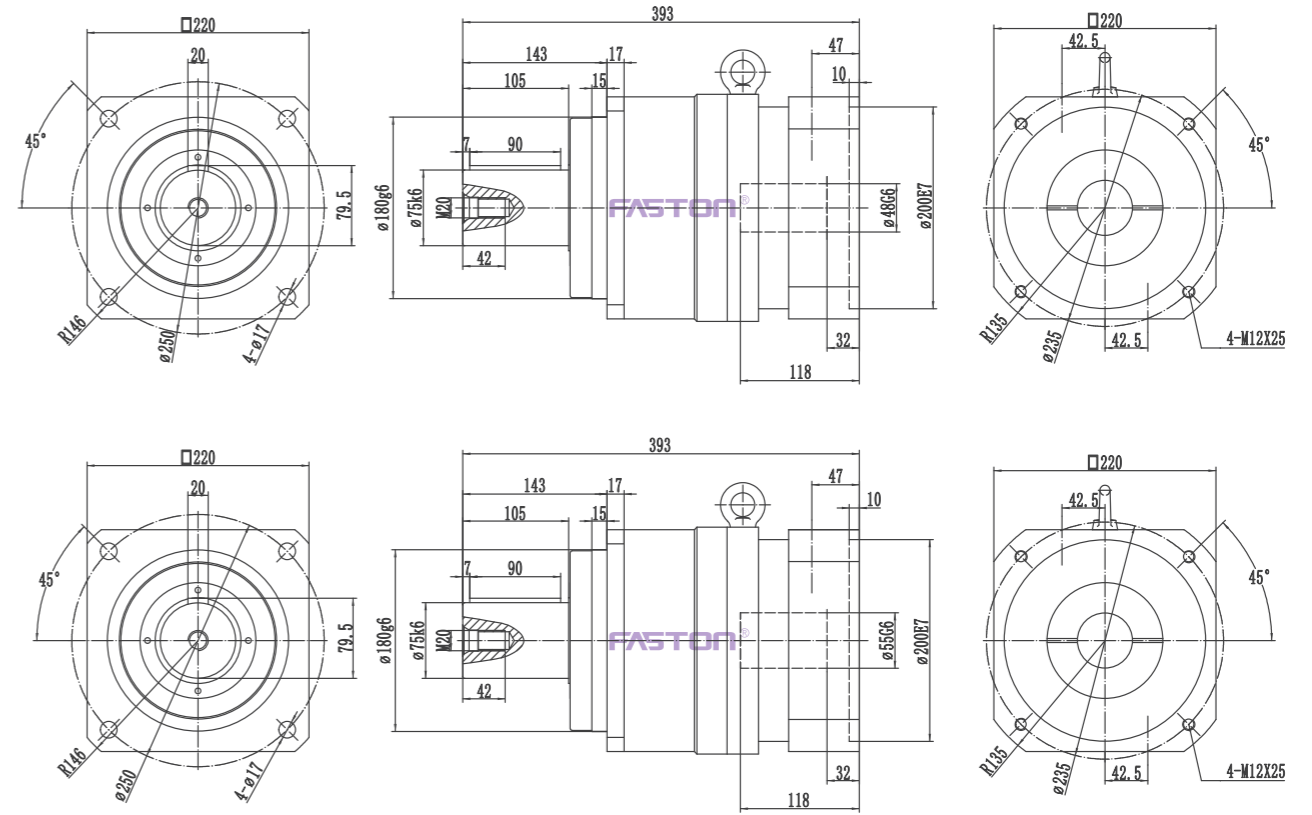
FKF210			单级/One-stage							双级/Two-stage										
速比 ⁽¹⁾ Speed ratio	i		3	4	5	6	7	8	9	10	12	16	20	25	35	40	50	70	100	
额定输出力矩(n_{1N}) Rated output torque	T_{2N}	Nm	750	1050	1200	1100	1100	1000	900	900	1140	1700	1700	2000	1800	1700	2000	1800	1500	
紧急制动力矩 Emergency braking torque (在减速机使用寿命内允许1000次) (1000 times during the working life of the reducer)	T_{2NOT}	Nm	3倍额定输出力矩/3 Times rated output torque																	
额定输入转速(T_{2n} , 20°C环境温度) Rated input speed (T_{2n} , 20°C ambient temperature)	n_{1N}	rpm	2000																	
最大输入转速 Maximum input speed	n_{1max}	rpm	4000																	
空载力矩($n_1=3000$ rpm, 20°C环境温度) No-load torque ($n_1=3000$ RPM, 20°C ambient temperature)	T_{012}	Nm	15	13	12	11	9	7.5	6.5	5.5	14	11	11	9	9	8	7	6.8	5	
回程间隙PS Backlash PS	j_t	Arcmin	≤ 1							≤ 2										
回程间隙P0 Backlash P0	j_t	Arcmin	≤ 2							≤ 3										
回程间隙P1 Backlash P1	j_t	Arcmin	≤ 3							≤ 5										
回程间隙P2 Backlash P2	j_t	Arcmin	≤ 5							≤ 7										
扭转刚度 Torsional stiffness	C_{121}	Nm/Arcmin	225																	
最大轴向力 ⁽²⁾ Maximum axial force	F_{2AMax}	N	21000																	
最大径向力 ⁽²⁾ Maximum radial force	F_{2RMax}	N	32000																	
工作效率 Work efficiency	η	%	97							94										
使用寿命 ⁽³⁾ Service life	L_h	h	20000																	
噪音($i=10$ 和 $n_1=3000$ rpm, 空载) Noise($i=10$ and $n_1=3000$ rpm, no load)	L_{PA}	DB(A)	≤ 70																	
重量 Weight	m	Kg	48							62										
安装方向 Installation direction	任意方向/Any direction																			
使用温度 ⁽⁴⁾ Operating temperature	-10~90																			
润滑方式 Lubrication method	终生润滑/Lifetime lubrication																			
防护等级 Protection level	IP65																			
转动惯量 Moment of inertia 按减速机输入直径(mm) Input diameter based on the reducer(mm)	42	J_1	Kgcm ²	80	70	68	65	52	52	45	40	18	16	15.5	14	14	13	12	10.8	9.5
	55	J_1	Kgcm ²	130	95	77	75	65	65	60	55	30	28	27	26.5	26.5	24	23	21	19.5

1. 可选其他减速比
2. 输出轴中心点
3. 连续运转时, 使用寿命为10000h
4. 对温度有特殊要求请与法斯頓联系

1. Optional other ratio
2. Output shaft center point
3. Service life of 10000h in continuous operation
4. For special requirements on temperature, please contact FASTON

减速机性能资料 REDUCER PERFORMANCE DATA

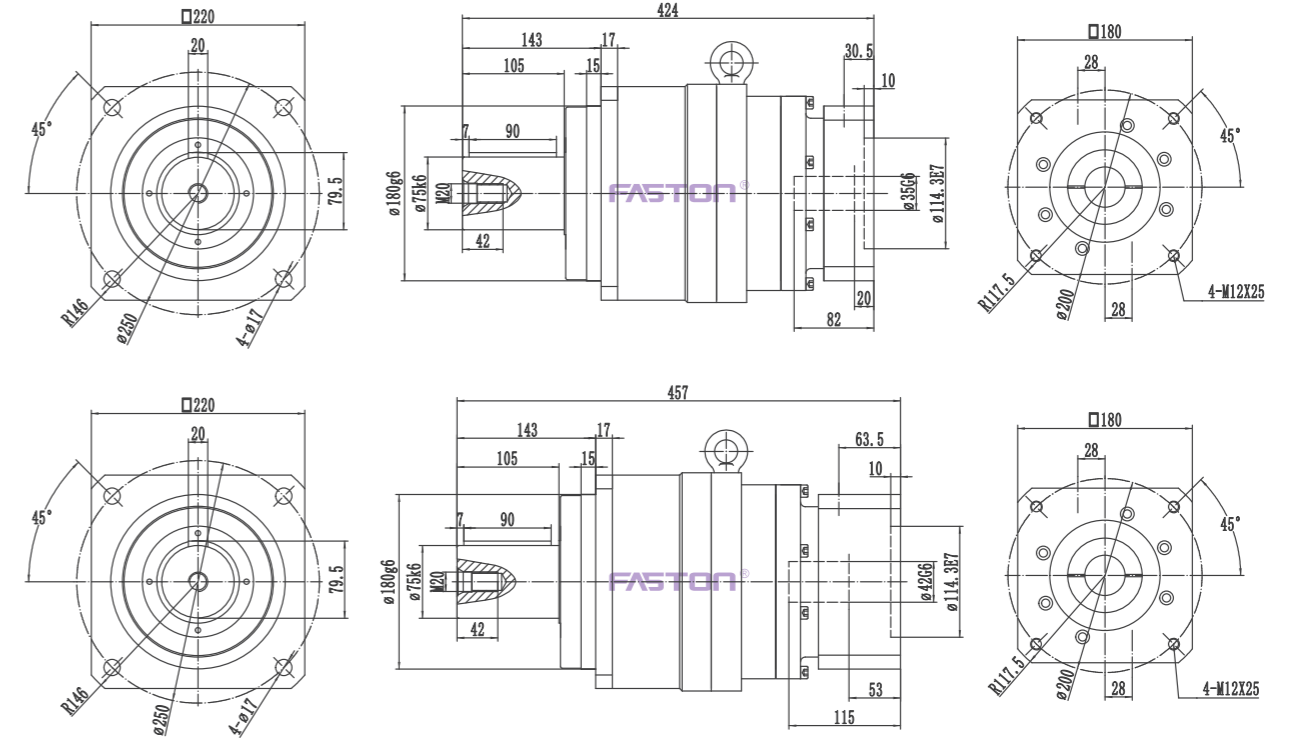
单级/One-stage



A ≤ 48 ■

B ≤ 55 ■

双级/Two-stage



C ≤ 35 ■

D ≤ 42 ■

(1) 请参照马达轴径尺寸
(2) 马达轴最长长度, 如有特殊的马达轴尺寸, 请与法斯頓联系
(3) 减速机输入端尺寸, 依马达的法兰面而定
*如无适合的尺寸, 请与法斯頓联系

(1) Please refer to the motor shaft diameter
(2) Motor shaft length, for special motor shaft size, please contact FASTON
(3) Reducer input size, depending on the flange surface of the motor
*If no suitable size available, please contact FASTON